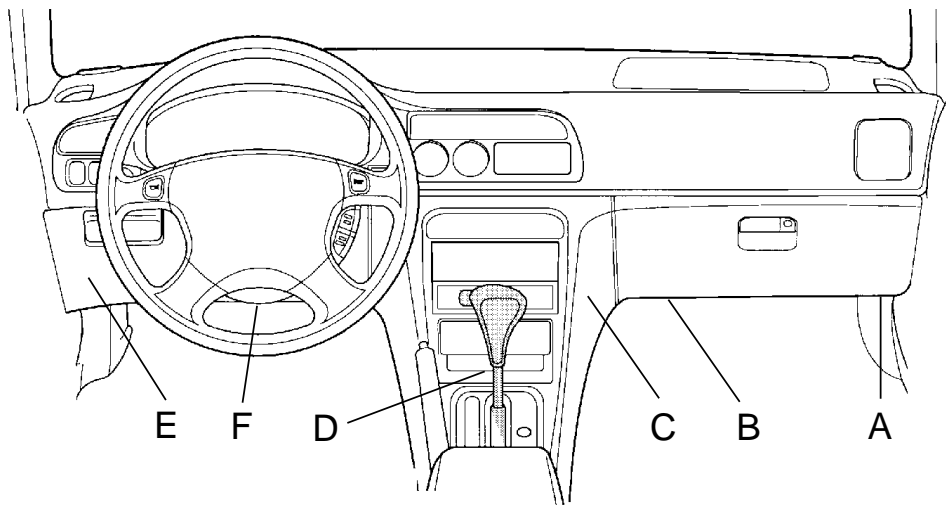


CONNECTOR LOCATION

ACURA CONNECTOR LOCATION CHART

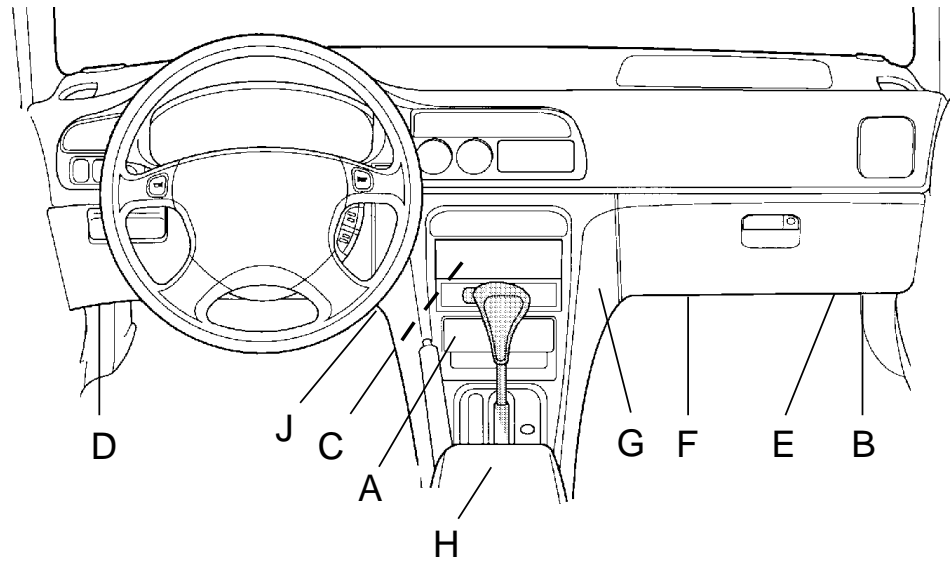


VEHICLE	YEAR	SCS 2P	DLC 3P	DLC 16P
INTEGRA	92-95	A	A	
	96-01	A		C
NSX	95-01	A		B **
2.2CL	97	A		D *
2.3/3.0CL	97-99	B		D *
2.5/3.2TL	95-98	C		D *
3.2TL	99-01			D *
3.5RL	96-01	C		D *
SLX	96-99			E **
3.2CL	2001			D *
MD-X	2001			F

* Remove the ashtray or coin tray

** Remove the trim panel

HONDA CONNECTOR LOCATION CHART



VEHICLE	YEAR	SCS 2P	DLC 3P	DLC 16P
ACCORD	94-95 (L4)	E	E	
	95-97	E		A *
	98-01			D
CIVIC	92-95	B	B	
	96-00	B		D
	01			J
del Sol	93-95	B	B	
	96-97	B		G
ODYSSEY	95	F	F	
	96-98	F		G
	99-01			J
PASSPORT	94-95.5	D	D	
	96-99			D
PRELUDE	92-95	C	C	
	96	C		H ****
	97-01	G		G **
CR-V	97-01	G		G
INSIGHT	2000-01			G
S2000	2000-01			F

- * Remove the ashtray
- ** Remove the trim panel
- *** Remove the beverage holder