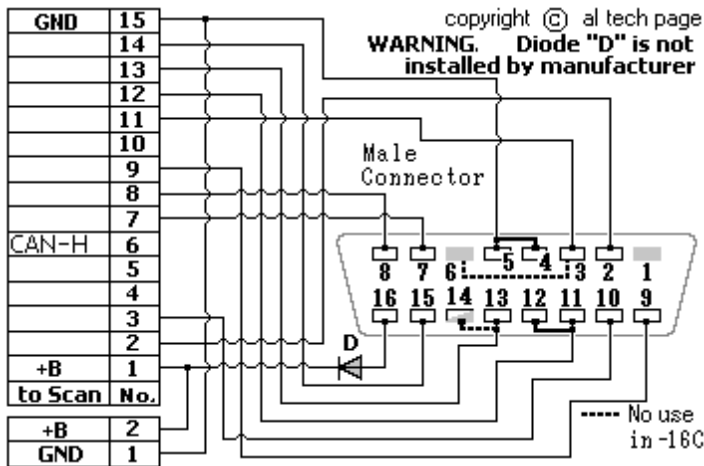


WARNING. Diode "D" is not installed by manufacturer



Note. No all Cars use all pins

DLC(J1962)on OBDII equiped Cars must use these Pins

1. Free For Manufacturer
2. "Bus+ line" ISO11519-4/SAEJ1850
with 2 connections, 41.6 Kbps PWM
with 1 connection, 10.4 Kbps VPW
3. Free For Manufacturer*
4. Chassis Ground
5. Signal Ground
6. CAN High (J-2284)
7. K-Line ISO 9141-2/DIS14230-4 OBDII DLC(J1962)
- 8,9,12,13 Free For Manufacturer
10. "Bus-" ISO 11519-4/SAE J1850
with 2 connections, 41.6 Kbps PWM
14. CAN Low (J-2284)
15. "L-line" ISO 9141-2/DIS14230-4
16. Battery power

