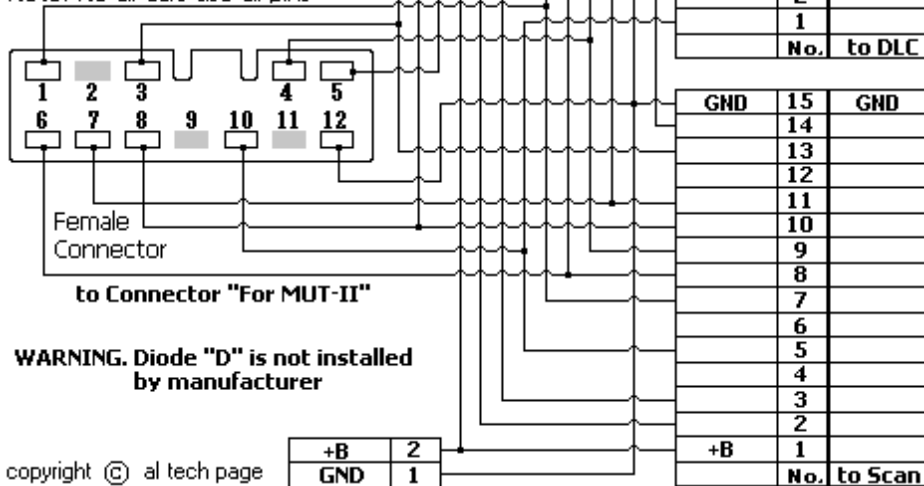


MMC Diagnostic Connector Pins Description:

- #1 Engine
 - #2 EPS
 - #3 ECS
 - #4 ABS
 - #5 CRUISE CONTROL
 - #6 ELC A/T
 - #7 A/C
 - #8 SRS
 - #9 ETACS
 - #10 Diagnosis Control
 - #11 Vehicle Simulated Speed or Free
 - #12 GND (Ground)
- Note. No all Cars use all pins



+B	16	
	15	
	14	
	13	
	12	
	11	
	10	
	9	
	8	
	7	
	6	
	5	
	4	
	3	
	2	
	1	
No.	to DLC	

GND	15	GND
	14	
	13	
	12	
	11	
	10	
	9	
	8	
	7	
	6	
	5	
	4	
	3	
	2	
+B	1	
No.	to Scan	

copyright © al tech page