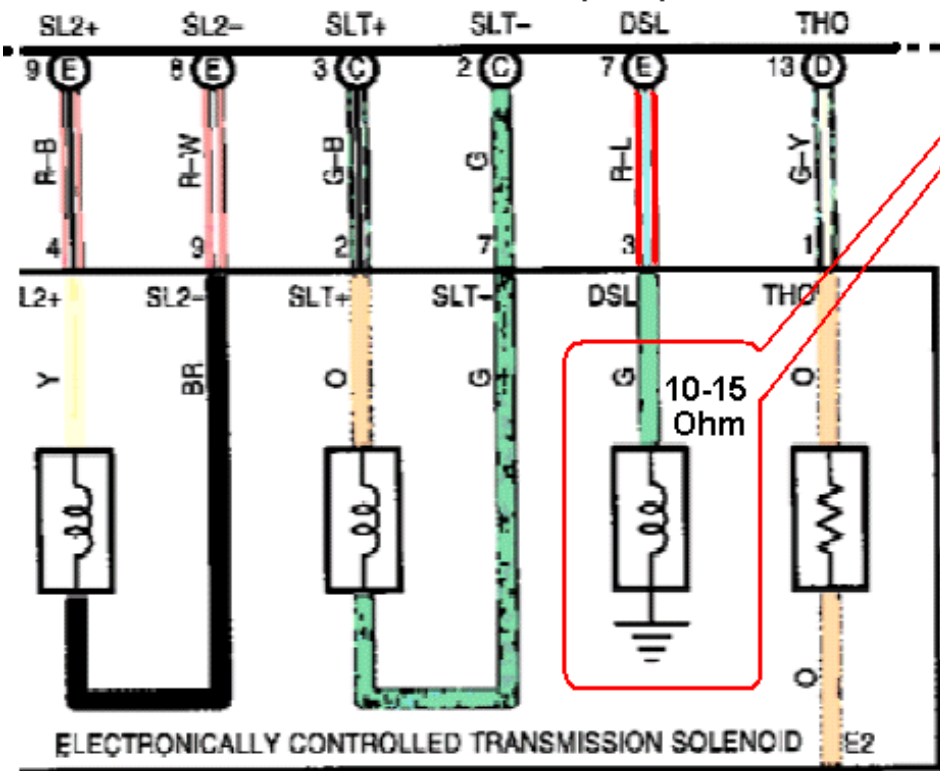
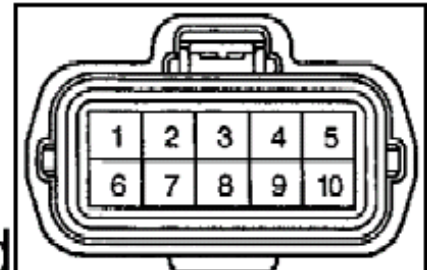
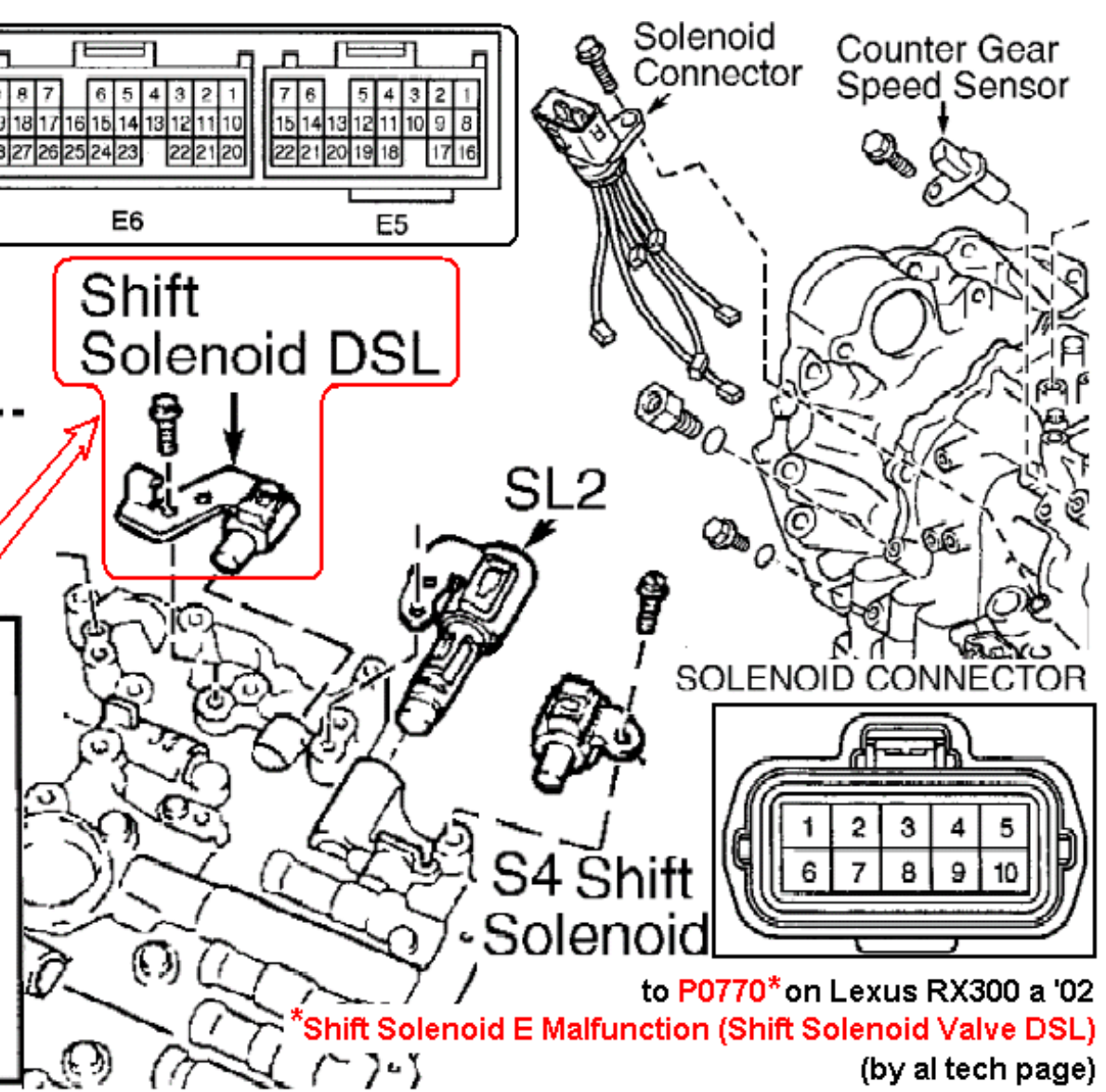


E5 (A), E6 (B), E7 (C), E8 (D), E9 (E)
ENGINE CONTROL MODULE (ECM)



Shift Solenoid DSL



to P0770* on Lexus RX300 a '02
*Shift Solenoid E Malfunction (Shift Solenoid Valve DSL)
(by al tech page)