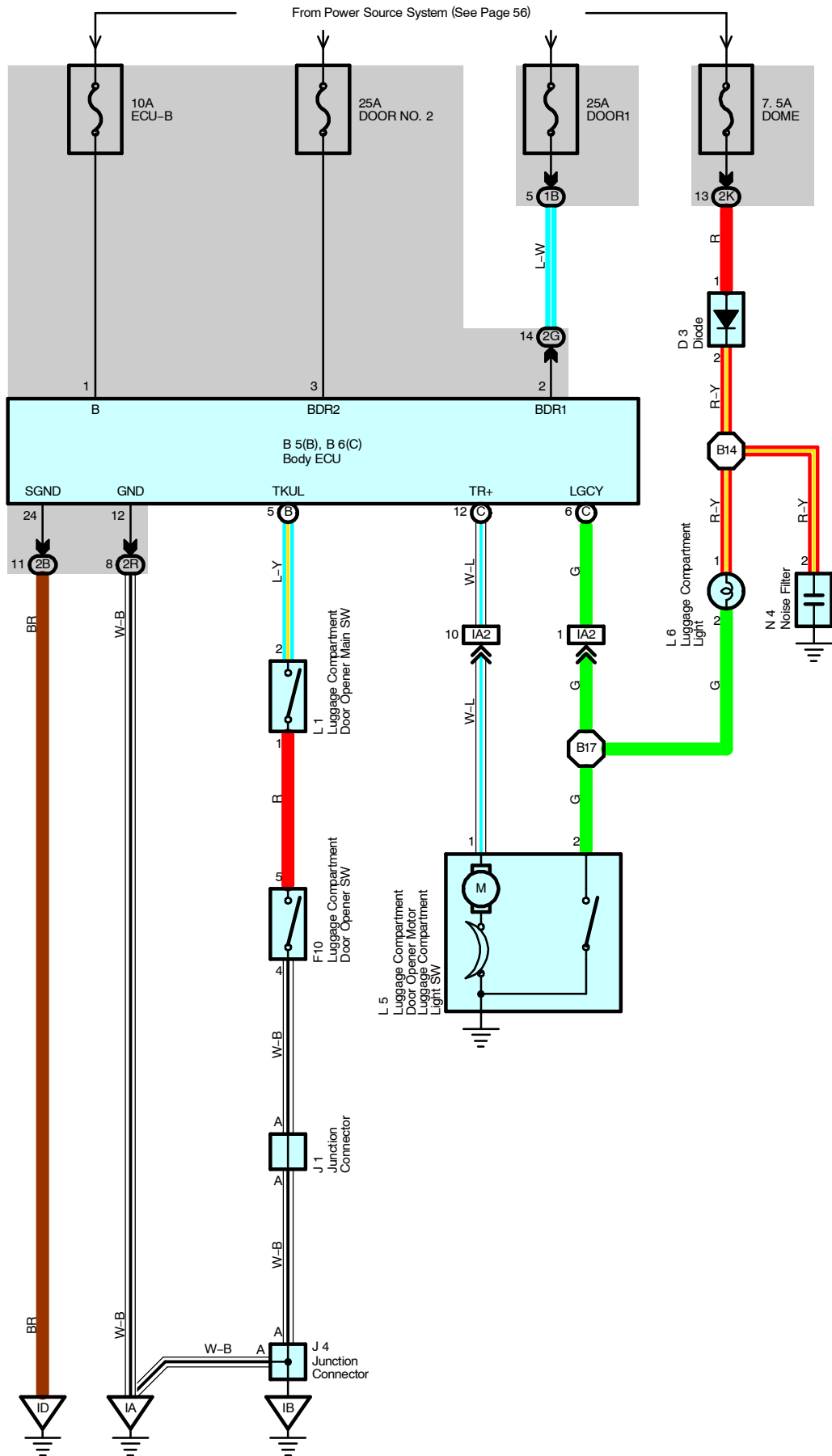


Luggage Compartment Door Opener



Service Hints

L5 Luggage Compartment Light SW

2-Ground : Closed with the luggage compartment door open

B6 (C) Body ECU

1, 2, 3-Ground : Always approx. 12 volts

(C) 6-Ground : Continuity with luggage compartment door open

12, 24-Ground : Always continuity

: Parts Location

Code	See Page	Code	See Page	Code	See Page	
B5	B	38	J1	39	L6	40
B6	C	38	J4	39	N4	41
D3		40	L1	39		
F10		39	L5	40		

: Junction Block and Wire Harness Connector

Code	See Page	Junction Block and Wire Harness (Connector Location)
1B	25	Engine Room Main Wire and Engine Room J/B (Engine Compartment Left)
2B	28	Instrument Panel Wire and Driver Side J/B (Lower Finish Panel)
2G	28	Engine Room Main Wire and Driver Side J/B (Lower Finish Panel)
2K	28	Floor No.1 Wire and Driver Side J/B (Lower Finish Panel)
2R	29	Instrument Panel Wire and Driver Side J/B (Lower Finish Panel)

: Connector Joining Wire Harness and Wire Harness

Code	See Page	Joining Wire Harness and Wire Harness (Connector Location)
IA2	46	Instrument Panel Wire and Floor No.1 Wire (Left Kick Panel)

: Ground Points

Code	See Page	Ground Points Location
IA	46	Instrument Panel Reinforcement LH
IB	46	Instrument Panel Brace LH
ID	46	Instrument Panel Brace RH

: Splice Points

Code	See Page	Wire Harness with Splice Points	Code	See Page	Wire Harness with Splice Points
B14	50	Floor No.1 Wire	B17	50	Floor No.1 Wire