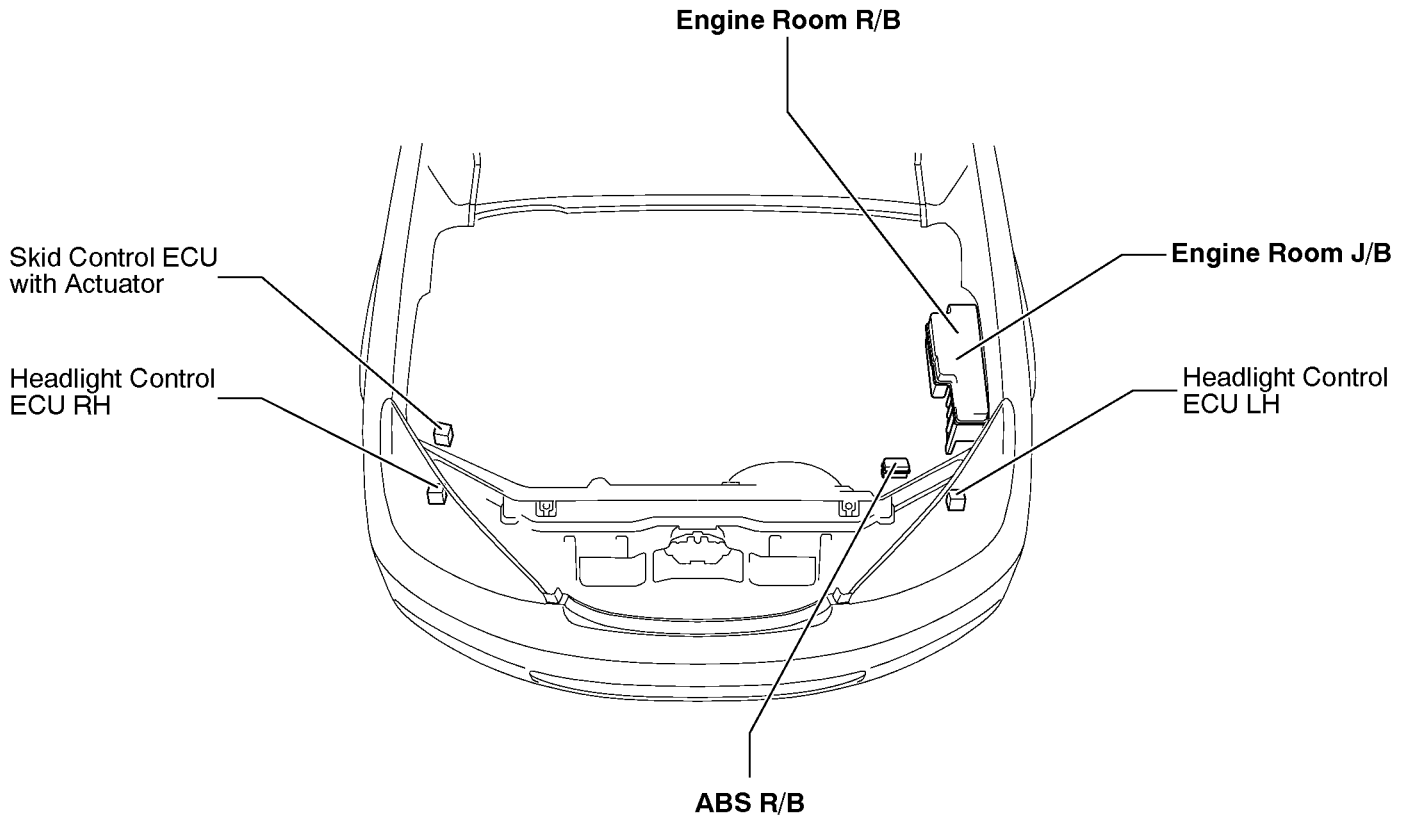
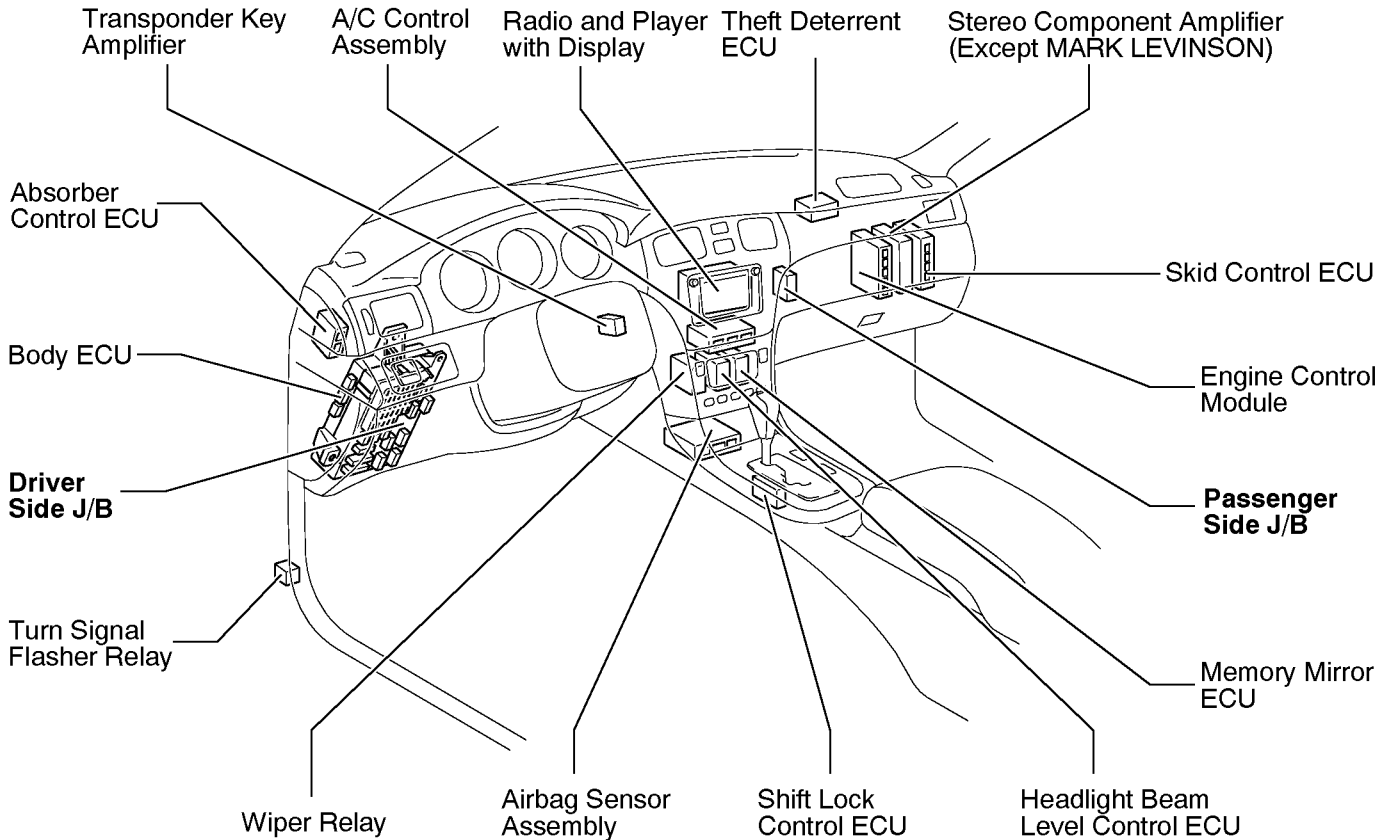


# F RELAY LOCATIONS

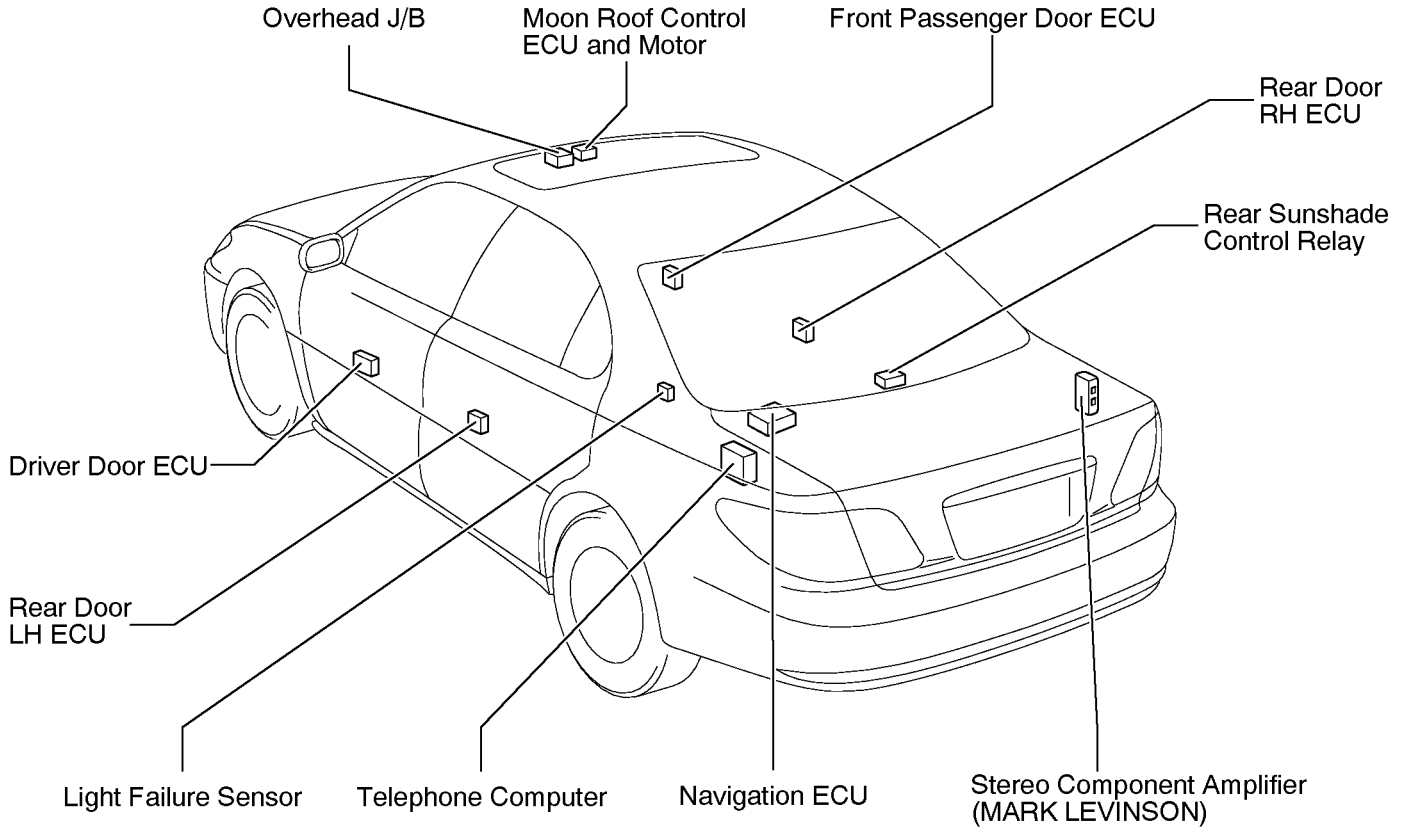
## [Engine Compartment]



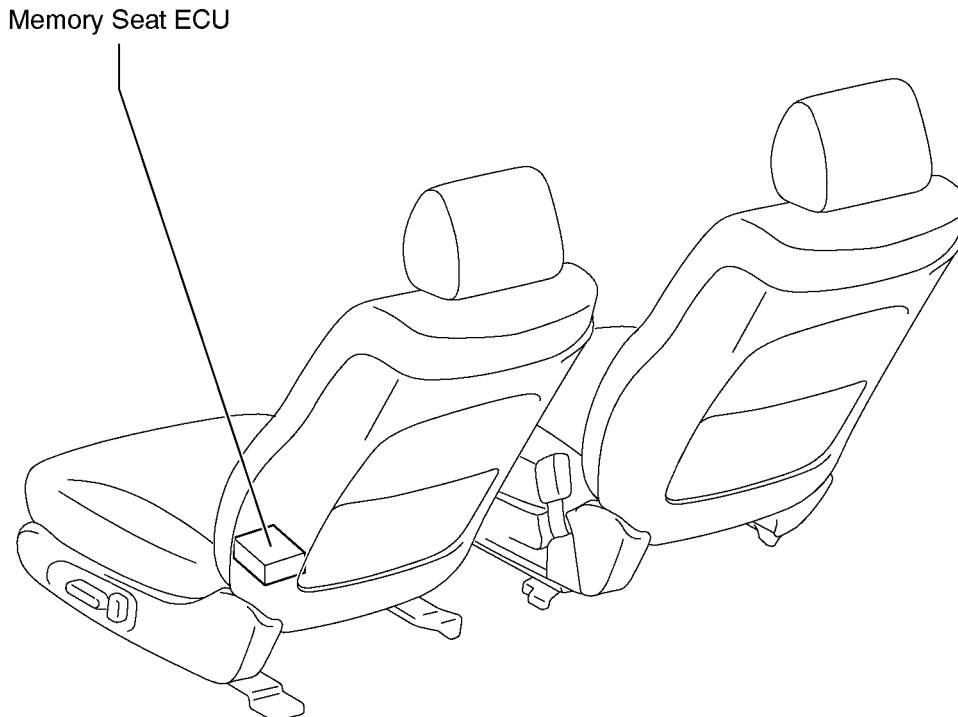
## [Instrument Panel]



**[Body]**



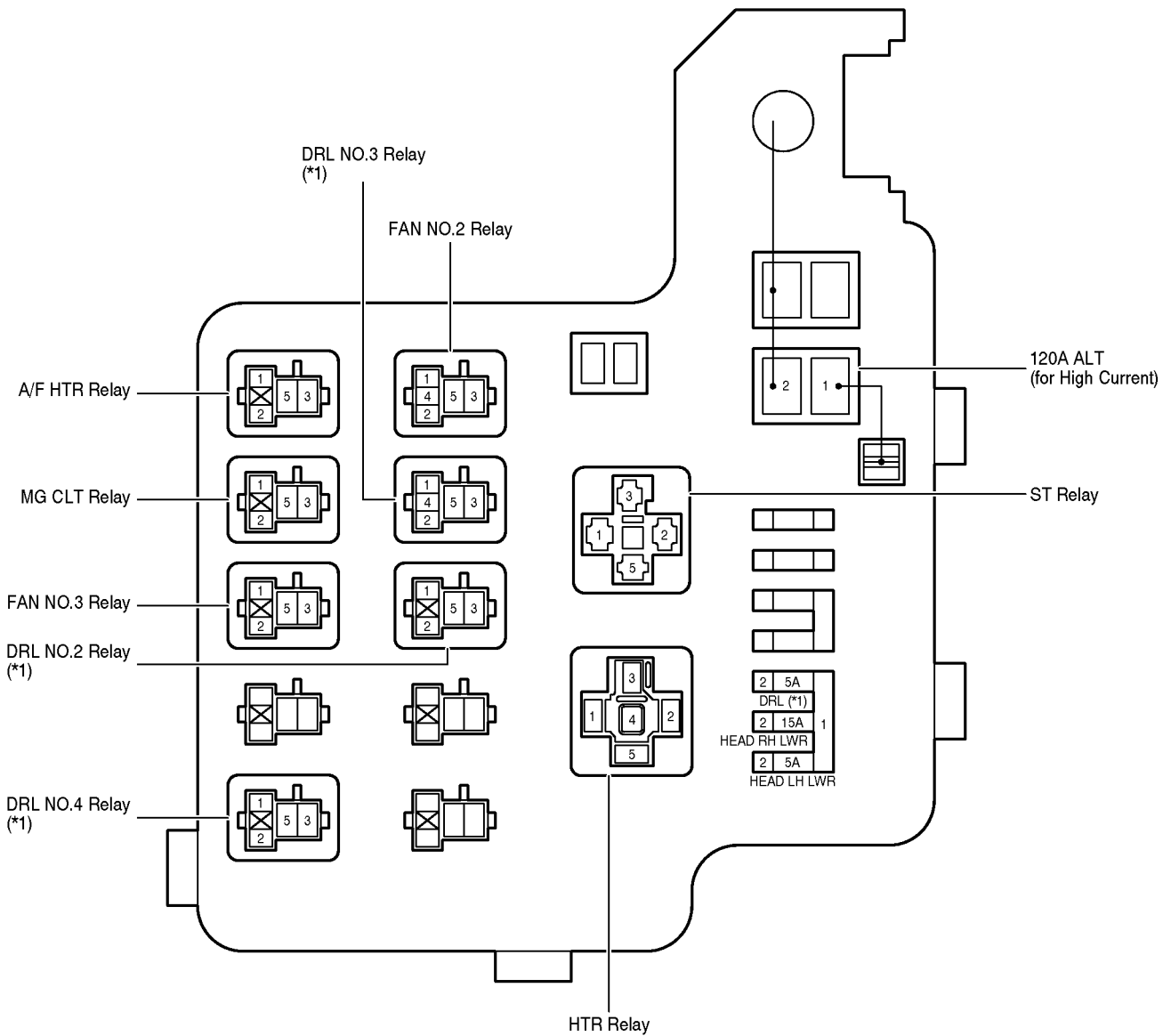
**[Seat]**



# F RELAY LOCATIONS

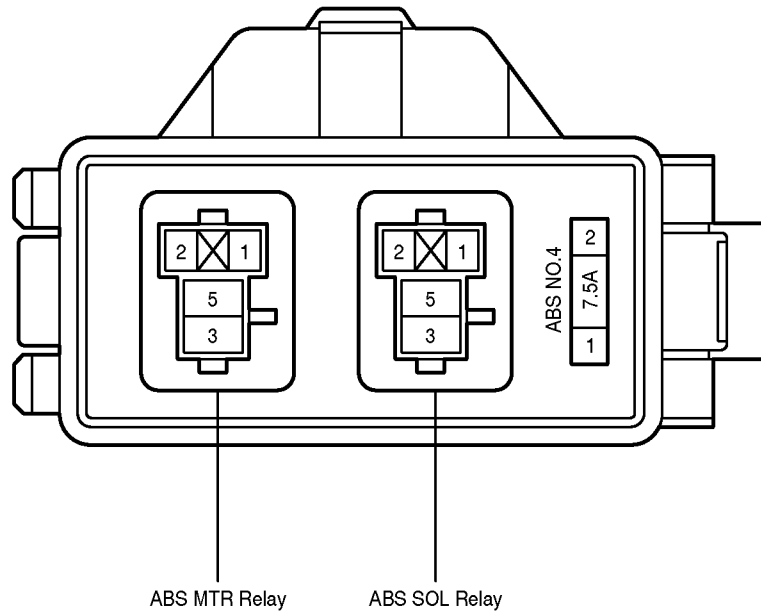
① : Engine Room R/B Engine Compartment Lub Oil Page 20

\* 1:w/ Daytime Running Light



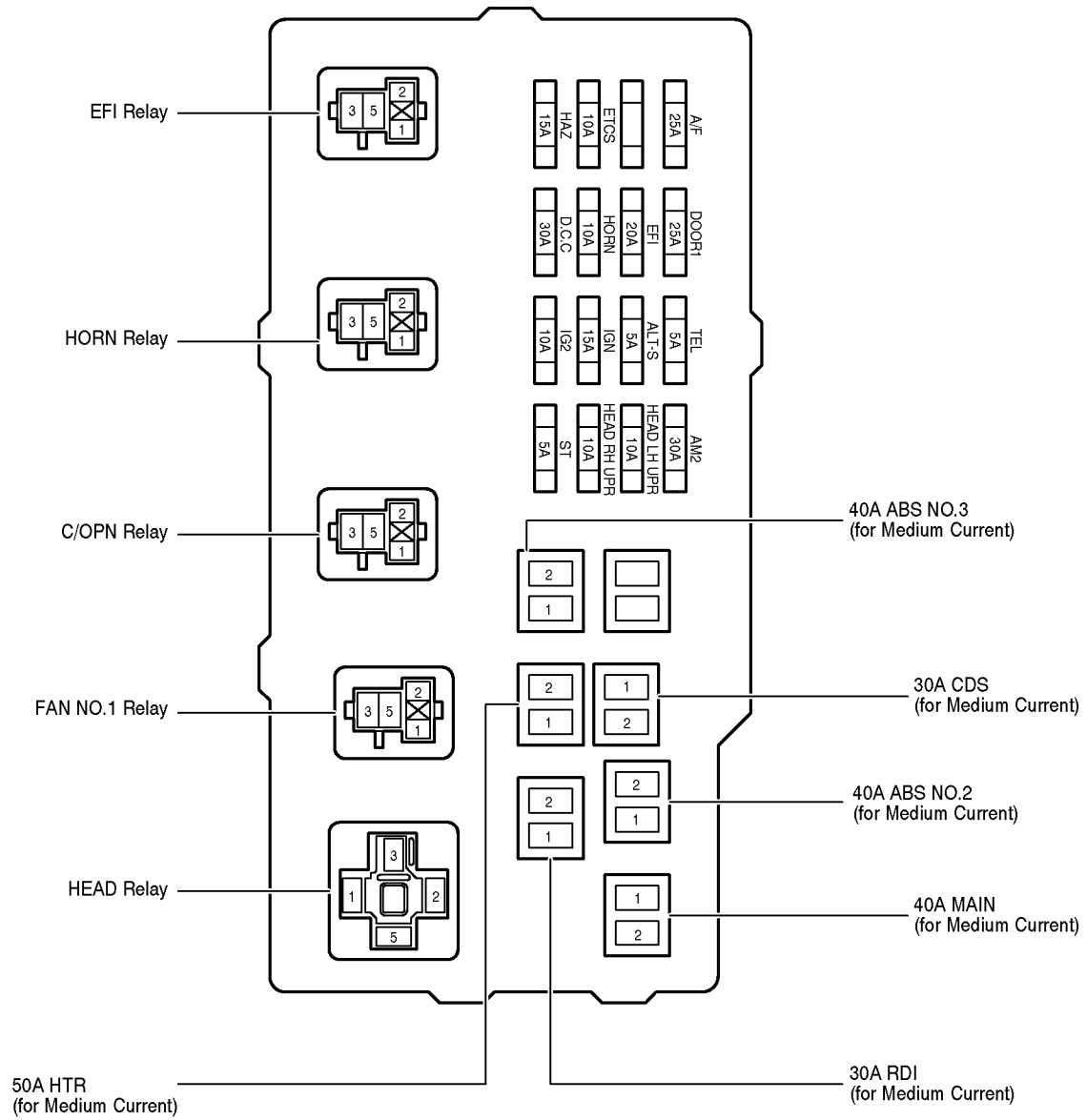
② : ABS R/B

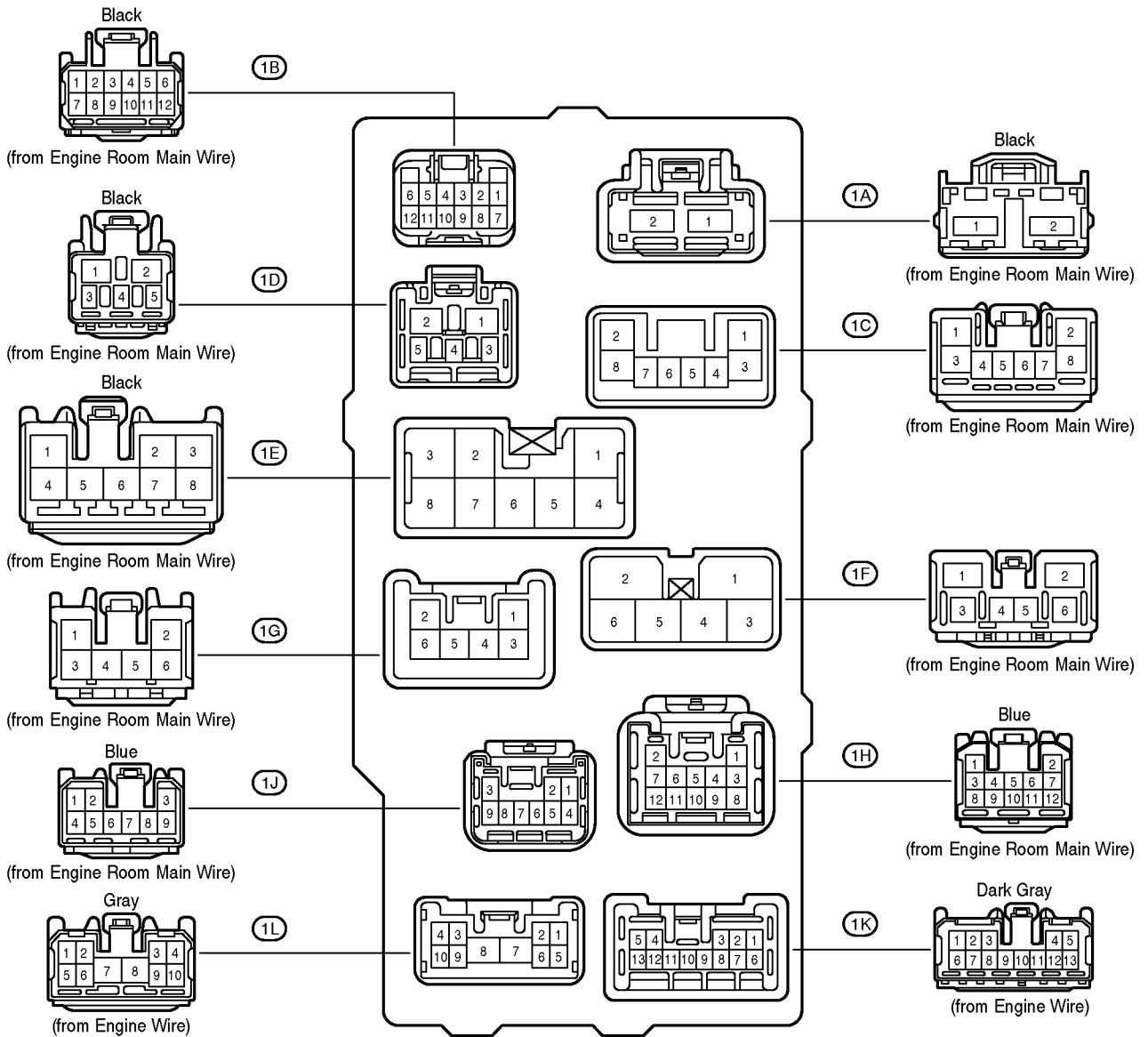
Relay and Solenoid (See Page 25)



# F RELAY LOCATIONS

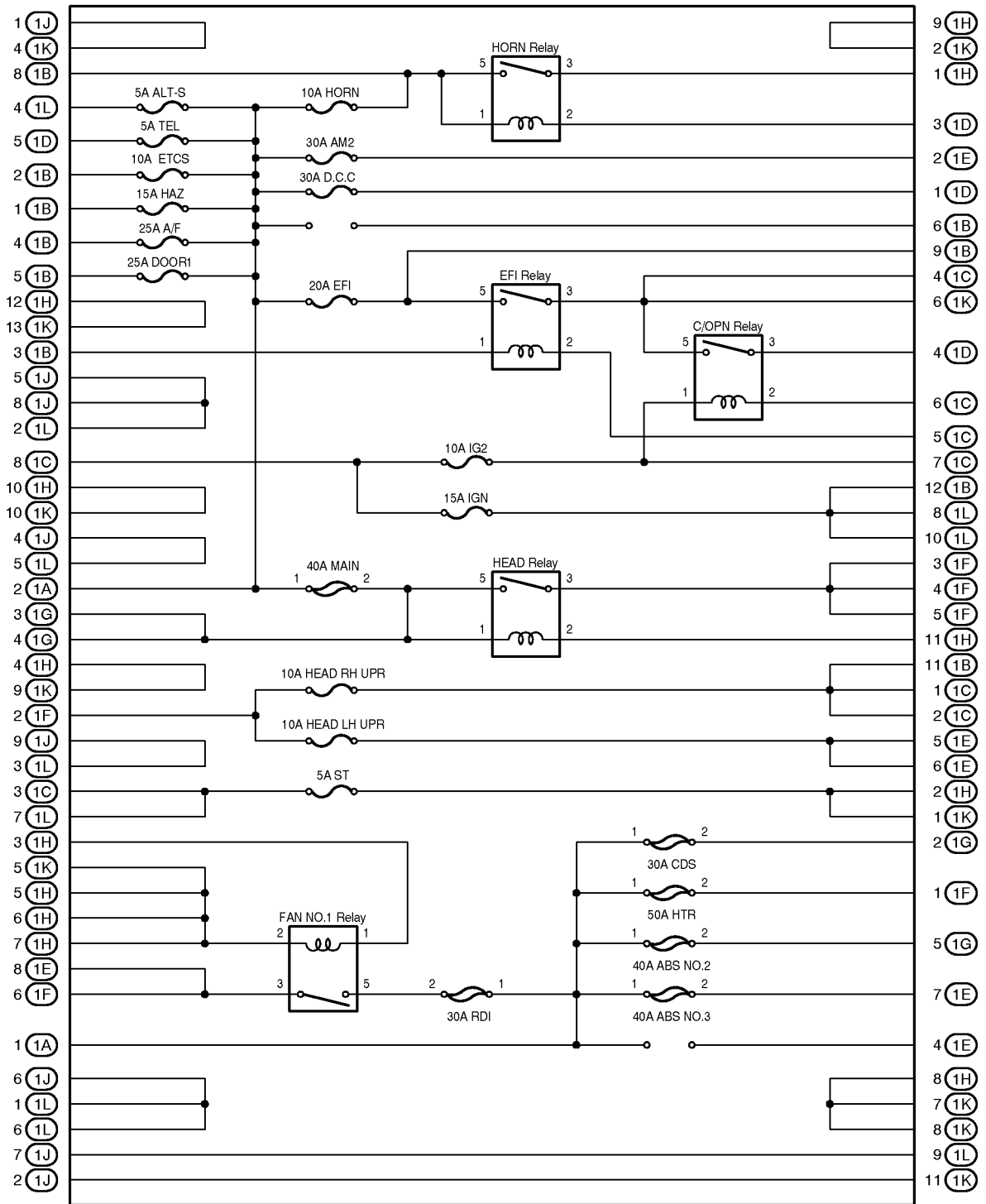
○ : Engine Room J/B      Engine Compartment Left (See Page 20)





# F RELAY LOCATIONS

## [Engine Room J/B Inner Circuit]



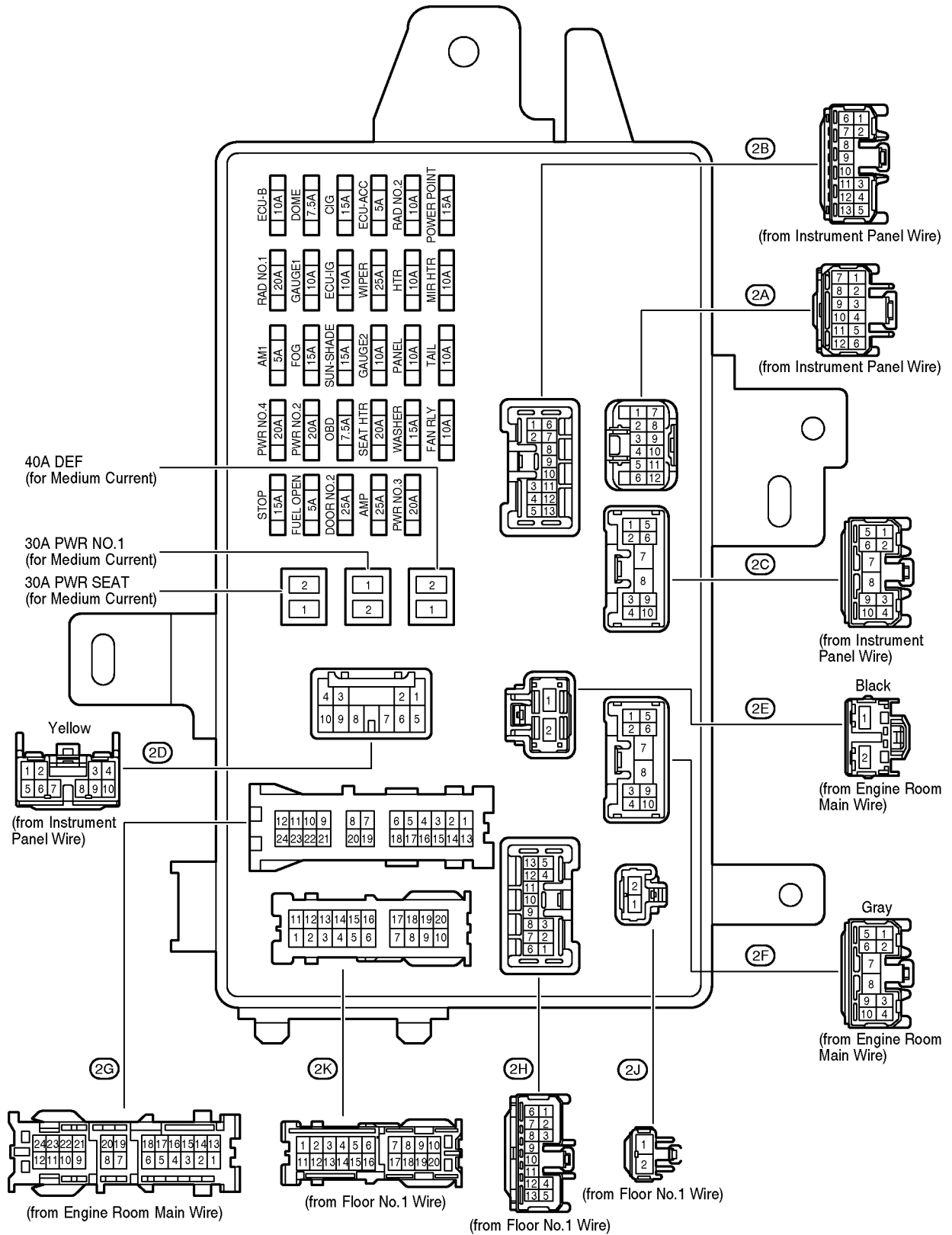


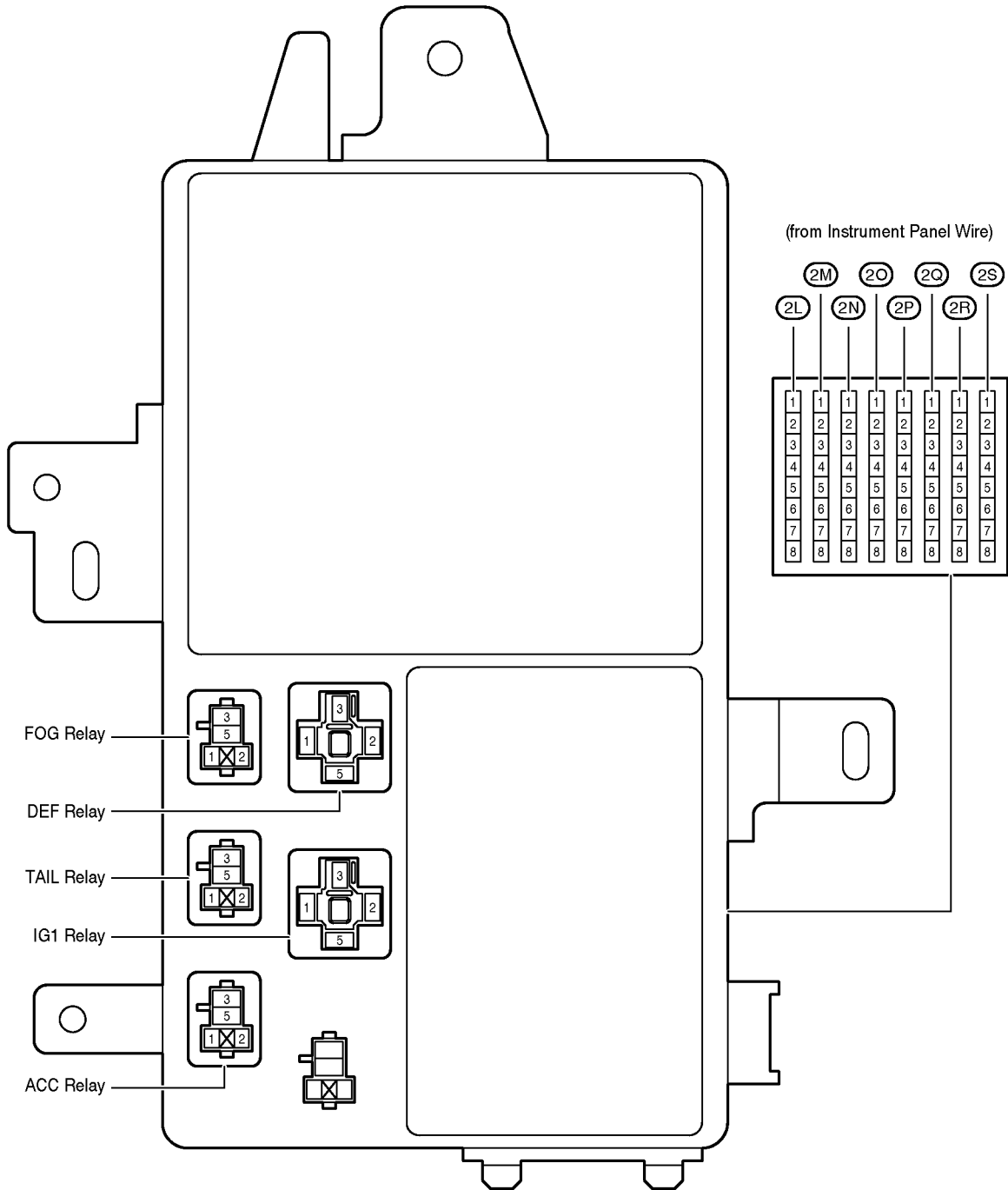


# F RELAY LOCATIONS

○ : Driver Side J/B

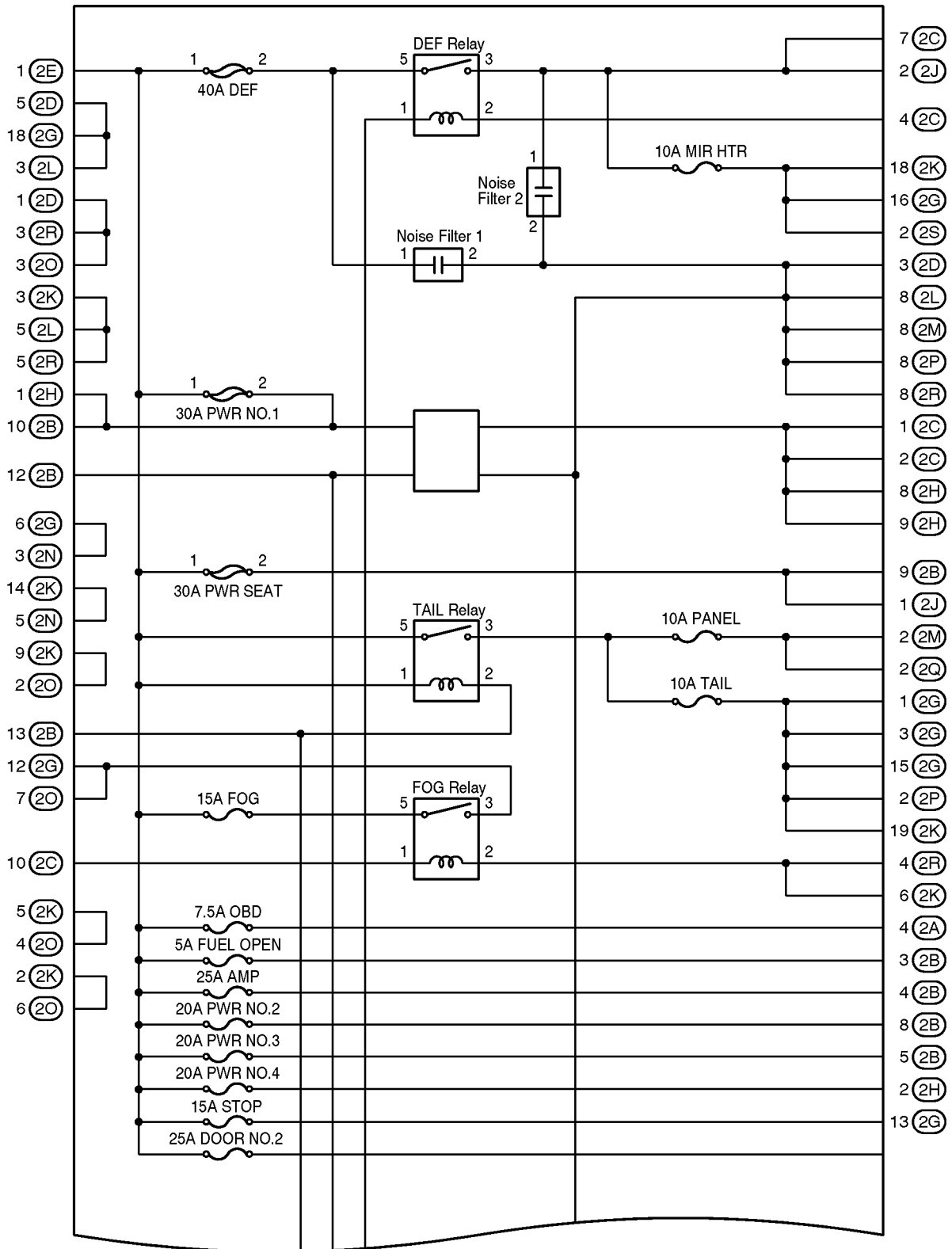
Lower Finish Panel (See Page 20)





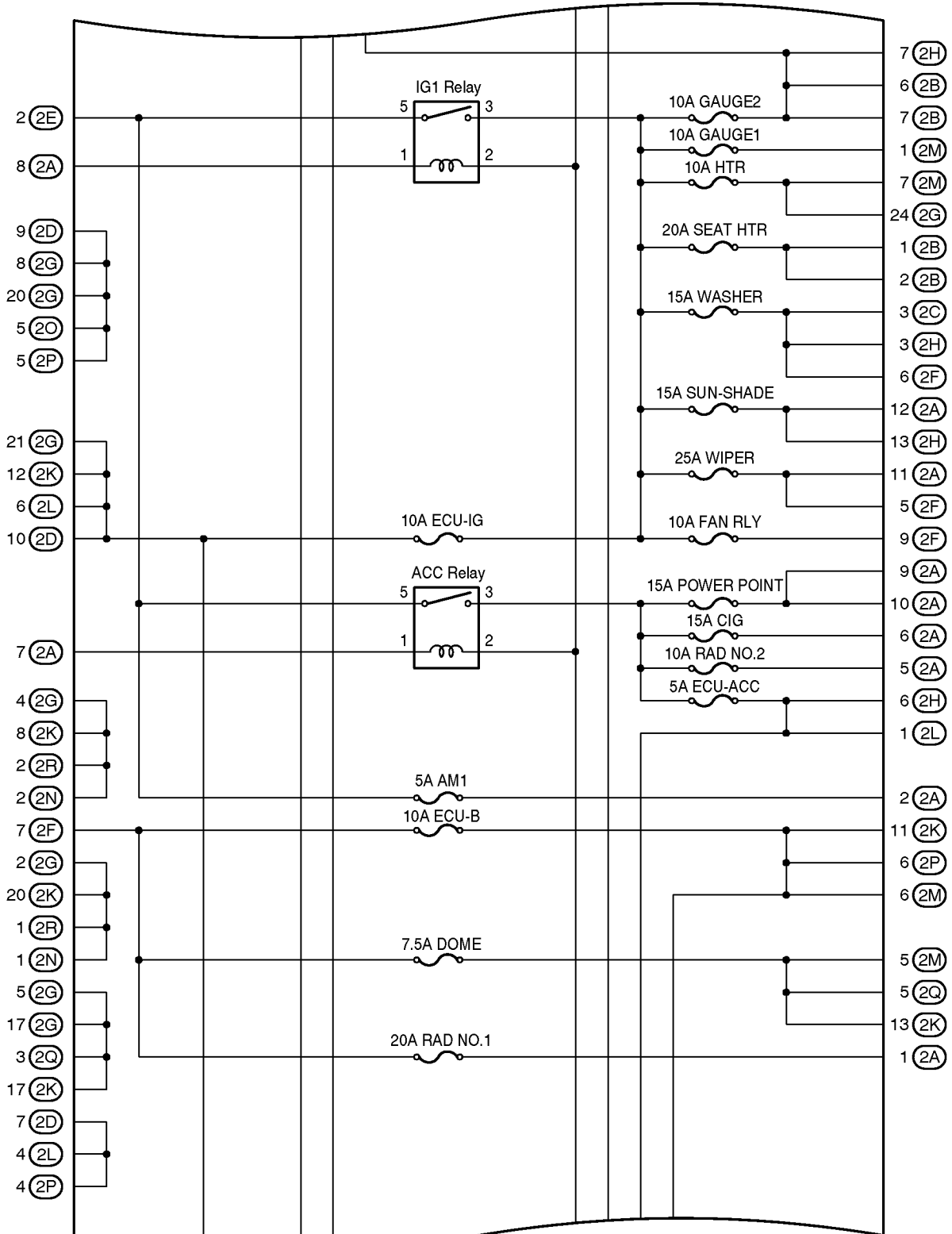
# F RELAY LOCATIONS

## [Driver Side J/B Inner Circuit]



(Cont. next page)

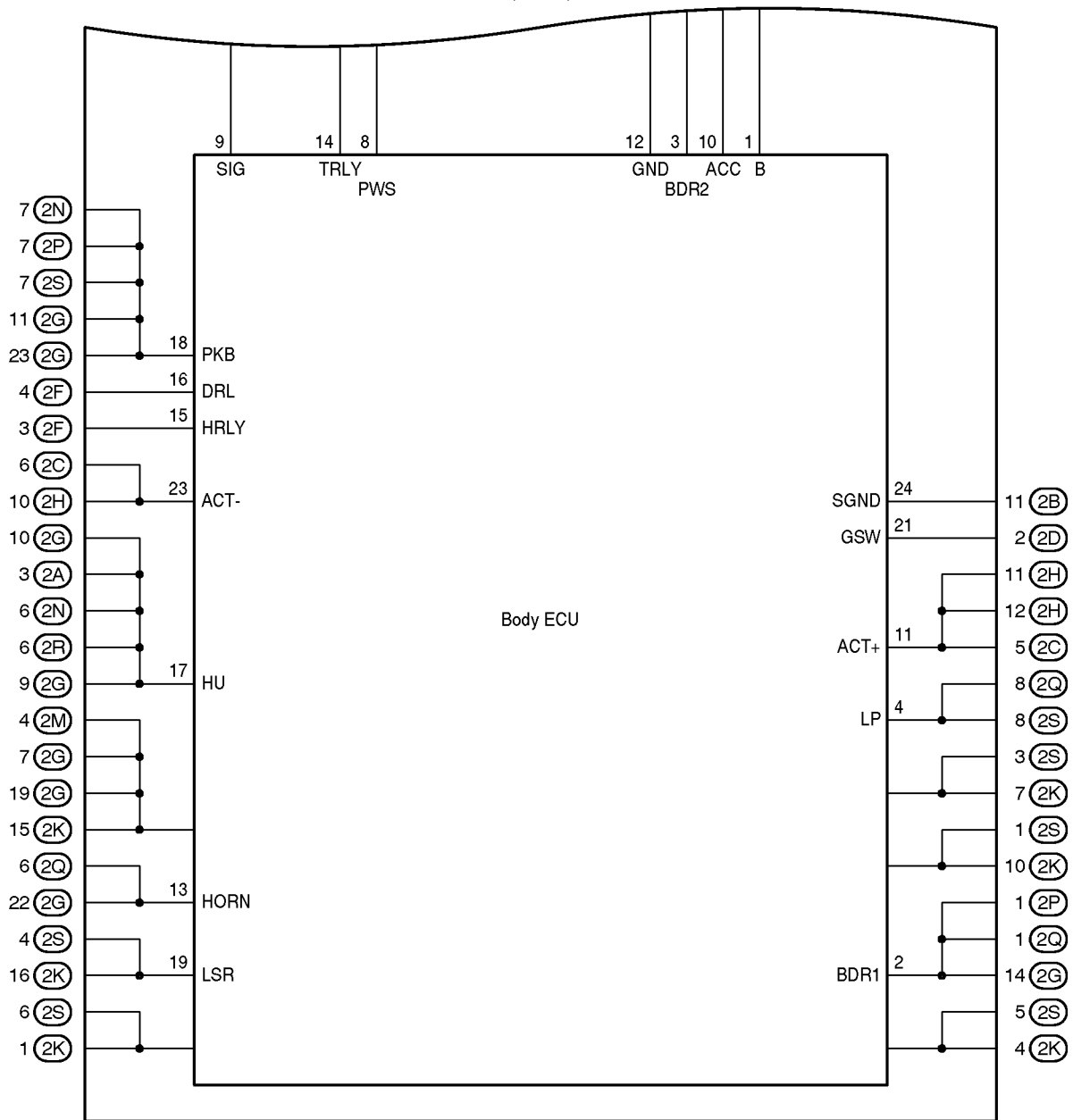
(Cont'd)



(Cont. next page)

# F RELAY LOCATIONS

(Cont' d)





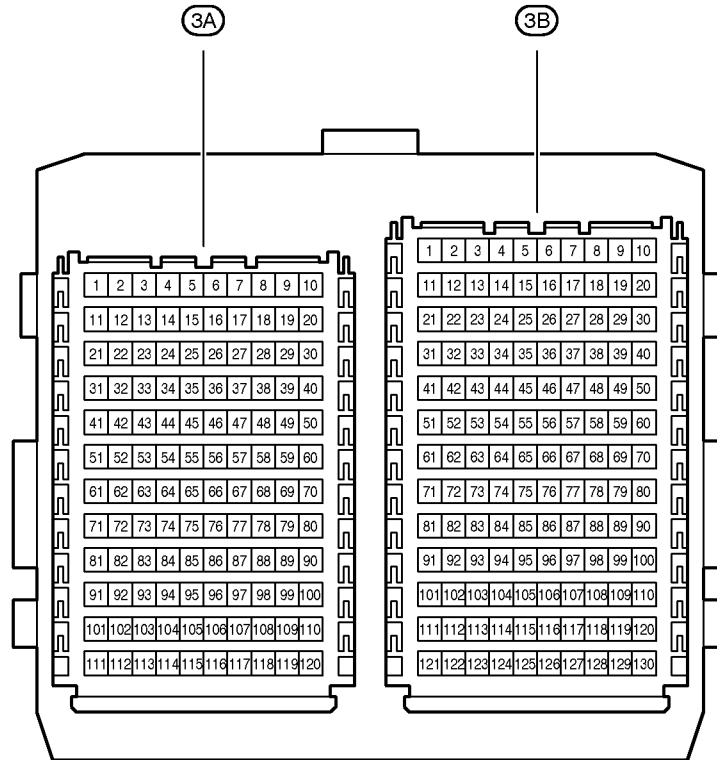
# F RELAY LOCATIONS

○ : Passenger Side J/B

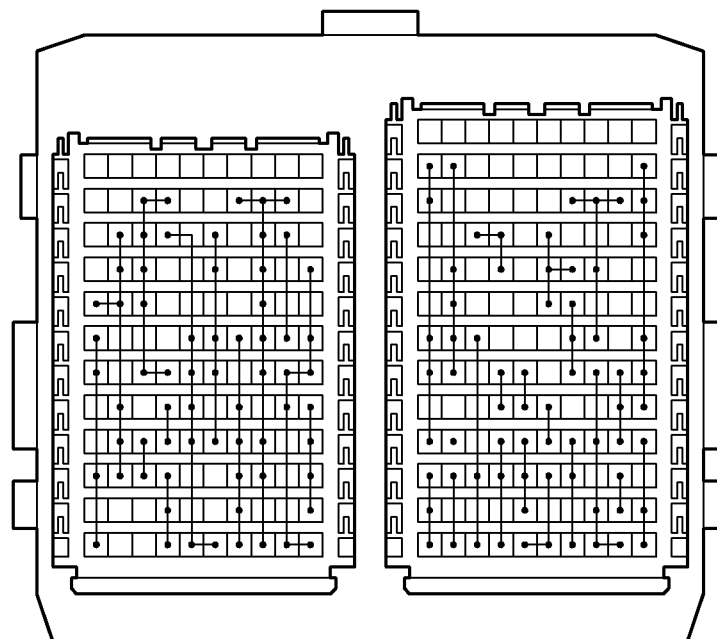
Instrument Panel Brace RH (See Page 20)

(w/ VSC)

(from Instrument Panel Wire)



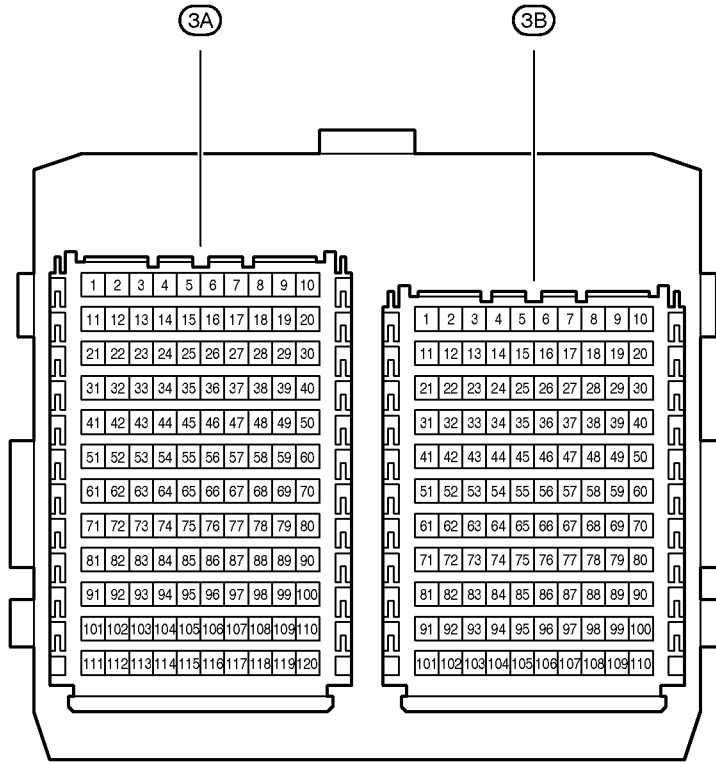
Short Terminal Grouping



**○ : Passenger Side J/B      Instrument Panel Brace RH (See Page 20)**

(w/o VSC)

(from Instrument Panel Wire)



Short Terminal Grouping

