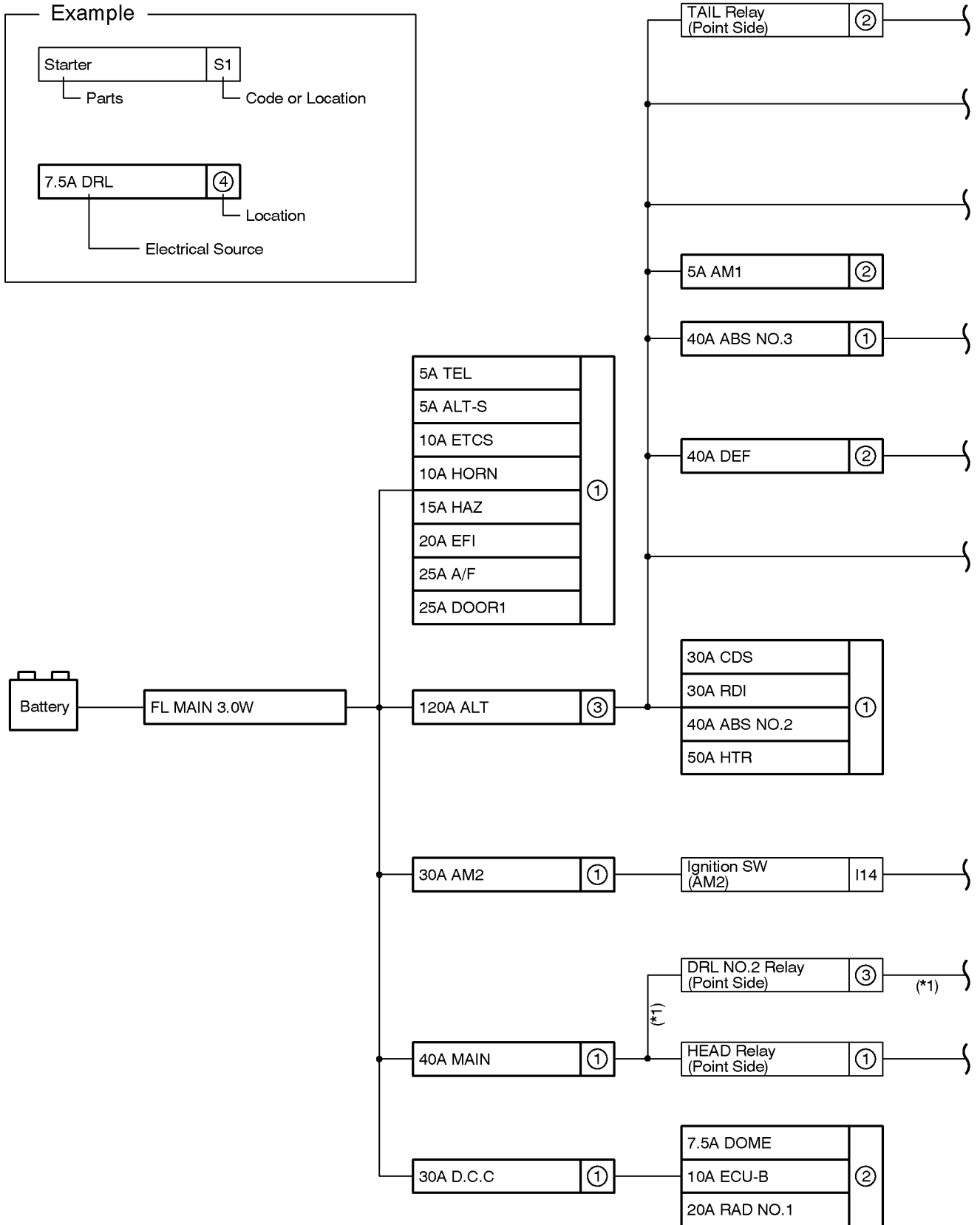
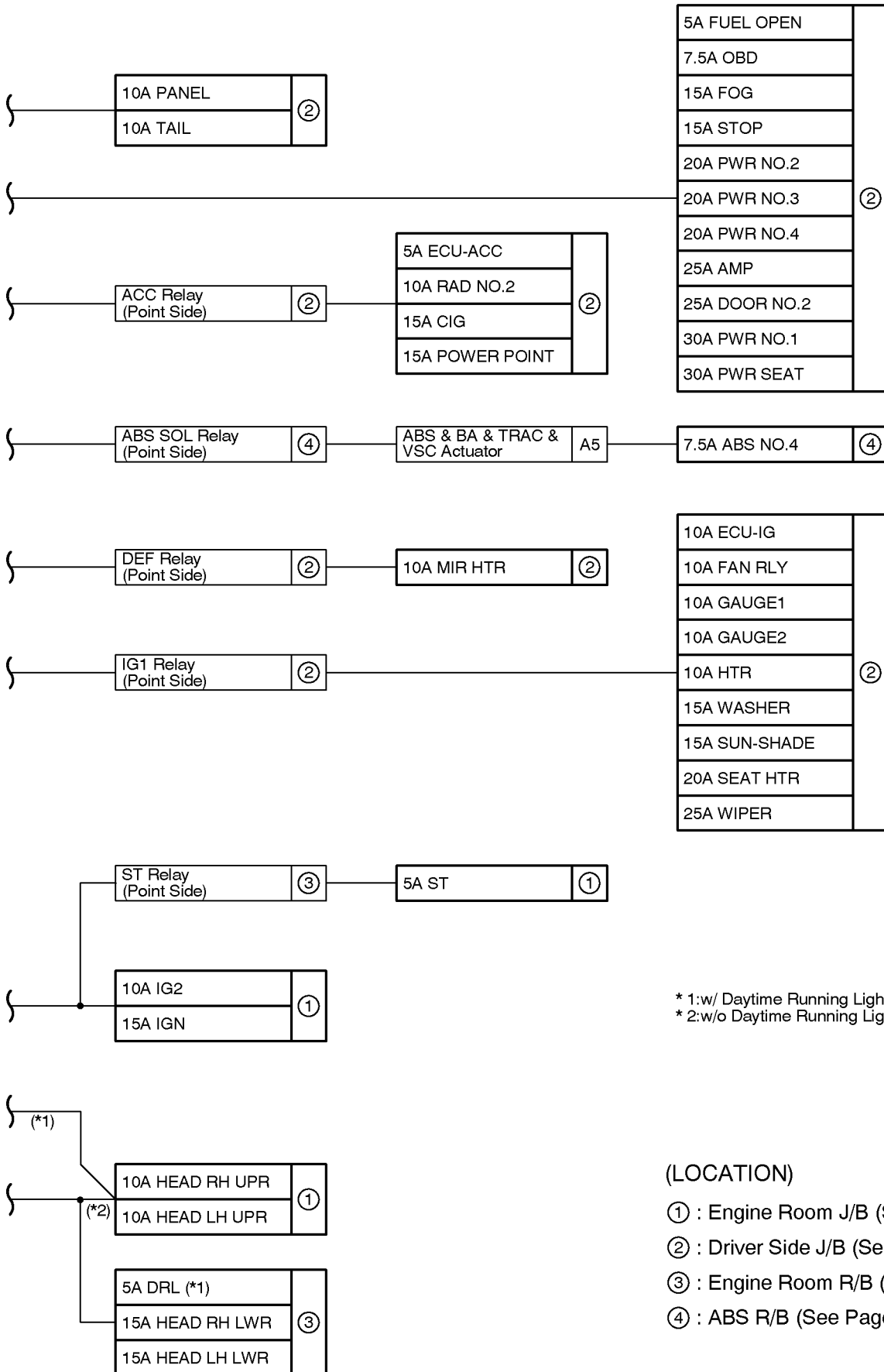


# J POWER SOURCE (Current Flow Chart)

The chart below shows the route by which current flows from the battery to each electrical source (Fusible Link, Circuit Breaker, Fuse, etc.) and other Parts.





\* 1:w/ Daytime Running Light  
 \* 2:w/o Daytime Running Light

(LOCATION)

- ① : Engine Room J/B (See Page 24)
- ② : Driver Side J/B (See Page 28)
- ③ : Engine Room R/B (See Page 22)
- ④ : ABS R/B (See Page 23)

## J POWER SOURCE (Current Flow Chart)

### Engine Room J/B (See Page 24)

Fuse		System	Page
5A	ALT-S	Charging	64
5A	ST	Combination Meter	280
5A	TEL	Cellular Mobile Telephone	248
10A	ETCS	Cruise Control	180
		Engine Control	66
10A	HEAD LH UPR	Headlight (w/ Daytime Running Light)	104
		Headlight (w/o Daytime Running Light)	110
		Multiplex Communication System	88
10A	HEAD RH UPR	Headlight (w/ Daytime Running Light)	104
		Headlight (w/o Daytime Running Light)	110
		Multiplex Communication System	88
10A	HORN	Horn	202
		Multiplex Communication System	88
		Theft Deterrent and Door Lock Control	128
10A	IG2	Charging	64
		Combination Meter	280
		Cruise Control	180
		Electronically Controlled Transmission and A/T Indicator	80
		Engine Control	66
		Engine Immobiliser System	78
		Headlight Beam Level Control	196
		Seat Belt Warning	200
		SRS	185
VSC	168		
15A	HAZ	Turn Signal and Hazard Warning Light	162
15A	IGN	Engine Control	66
		Starting and Ignition	60
20A	EFI	Cruise Control	180
		Electronically Controlled Transmission and A/T Indicator	80
		Engine Control	66
		Engine Immobiliser System	78
25A	A/F	Engine Control	66
25A	DOOR1	Luggage Compartment Door Opener	150
		Multiplex Communication System	88
		Power Window	144
		Theft Deterrent and Door Lock Control	128
		Wireless Door Lock	136
30A	AM2	Charging	64
		Engine Control	66
		Starting and Ignition	60

\* These are the page numbers of the first page on which the related system is shown.

30A	CDS	Radiator Fan and Condenser Fan	<a href="#">286</a>
30A	RDI	Radiator Fan and Condenser Fan	<a href="#">286</a>

Fuse		System	Page
40A	ABS NO.2	ABS	176
		VSC	168
40A	ABS NO.3	ABS	176
		VSC	168
40A	MAIN	Automatic Light Control	124
		Headlight Beam Level Control	196
		Headlight (w/ Daytime Running Light)	104
		Headlight (w/o Daytime Running Light)	110
		Light Auto Turn Off	120
		Multiplex Communication System	88
50A	HTR	Theft Deterrent and Door Lock Control	128
		Air Conditioning	290

### Driver Side J/B (See Page 28)

Fuse		System	Page
5A	AM1	Electronically Controlled Transmission and A/T Indicator	80
		Engine Control	66
		Starting and Ignition	60
5A	ECU-ACC	Automatic Light Control	124
		Cellular Mobile Telephone	248
		Clock	206
		Interior Light	114
		Key Reminder	126
		Light Auto Turn Off	120
		Multiplex Communication System	88
		Remote Control Mirror (w/ Driving Position Memory)	220
		Remote Control Mirror (w/o Driving Position Memory)	224
Theft Deterrent and Door Lock Control	128		
5A	FUEL OPEN	Fuel Lid Opener	212
7.5A	DOME	Clock	206
		Garage Door Opener	152
		Interior Light	114
		Luggage Compartment Door Opener	150
		Moon Roof	236
		Multiplex Communication System	88
		Power Window	144
		Theft Deterrent and Door Lock Control	128
Wireless Door Lock	136		
7.5A	OBD	Engine Control	66
10A	ECU-B	Air Conditioning	290
		Automatic Light Control	124
		Combination Meter	280
		Headlight (w/ Daytime Running Light)	104
		Headlight (w/o Daytime Running Light)	110

\* These are the page numbers of the first page on which the related system is shown.

## J POWER SOURCE (Current Flow Chart)

Fuse		System	Page
10A	ECU-B	Illumination	158
		Interior Light	114
		Key Reminder	126
		LEXUS Navigation System, Radio and Player (Except MARK LEVINSON w/ LEXUS Navigation System)	--
		LEXUS Navigation System, Radio and Player (MARK LEVINSON w/ LEXUS Navigation System)	--
		Light Auto Turn Off	120
		Luggage Compartment Door Opener	150
		Moon Roof	236
		Multiplex Communication System	88
		Power Seat (Driver's Seat w/ Driving Position Memory)	226
		Power Window	144
		Remote Control Mirror (w/ Driving Position Memory)	220
		Theft Deterrent and Door Lock Control	128
		VSC	168
Wireless Door Lock	136		
10A	ECU-IG	ABS	176
		Automatic Light Control	124
		Cellular Mobile Telephone	248
		Headlight (w/ Daytime Running Light)	104
		Headlight (w/o Daytime Running Light)	110
		Interior Light	114
		Key Reminder	126
		Light Auto Turn Off	120
		Moon Roof	236
		Multiplex Communication System	88
		Power Seat (Driver's Seat w/ Driving Position Memory)	226
		Power Window	144
		Remote Control Mirror (w/ Driving Position Memory)	220
		Seat Belt Warning	200
SRS	185		
Theft Deterrent and Door Lock Control	128		
VSC	168		
Wireless Door Lock	136		
10A	FAN RLY	Electronic Modulated Suspension	192
		Radiator Fan and Condenser Fan	286
10A	GAUGE1	ABS	176
		Air Conditioning	290
		Charging	64
		Combination Meter	280
		Cruise Control	180
		Electronic Modulated Suspension	192
		Electronically Controlled Transmission and A/T Indicator	80
Engine Control	66		

\* These are the page numbers of the first page on which the related system is shown.

Fuse		System	Page
10A	GAUGE1	Illumination	158
		Interior Light	114
		Key Reminder	126
		LEXUS Navigation System, Radio and Player (Except MARK LEVINSON w/ LEXUS Navigation System)	-
		LEXUS Navigation System, Radio and Player (MARK LEVINSON w/ LEXUS Navigation System)	-
		Multiplex Communication System	88
		Seat Belt Warning	200
		Shift Lock	208
		SRS	185
		Taillight and Stop Light	154
		Turn Signal and Hazard Warning Light	162
	VSC	168	
10A	GAUGE2	ABS	176
		Automatic Glare-Resistant EC Mirror and Compass	210
		Back-Up Light	164
		Cruise Control	180
		Electronically Controlled Transmission and A/T Indicator	80
		Headlight Beam Level Control	196
		Moon Roof	236
		Multiplex Communication System	88
		Power Seat (Driver's Seat w/ Driving Position Memory)	226
		Rear Sunshade	244
		Rear Window Defogger and Mirror Heater	246
		Remote Control Mirror (w/ Driving Position Memory)	220
		Tension Reducer	242
	VSC	168	
10A	HTR	Air Conditioning	290
		Seat Belt Warning	200
		SRS	185
10A	MIR HTR	Engine Control	66
		Rear Window Defogger and Mirror Heater	246
10A	PANEL	Clock	206
		Combination Meter	280
		Illumination	158
		Taillight and Stop Light	154
10A	RAD NO.2	LEXUS Navigation System, Radio and Player (Except MARK LEVINSON w/ LEXUS Navigation System)	260
		LEXUS Navigation System, Radio and Player (MARK LEVINSON w/ LEXUS Navigation System)	-
		Radio and Player (MARK LEVINSON w/o LEXUS Navigation System)	-
		Radio and Player (1CD Type Except MARK LEVINSON w/o LEXUS Navigation System)	-

\* These are the page numbers of the first page on which the related system is shown.

## J POWER SOURCE (Current Flow Chart)

Fuse		System	Page
10A	RAD NO.2	Radio and Player (6CD Type Except MARK LEVINSON w/o LEXUS Navigation System)	272
10A	TAIL	Engine Control	66
		Taillight and Stop Light	154
15A	CIG	Cigarette Lighter and Power Outlet	204
15A	FOG	Fog Light	166
15A	POWER POINT	Cigarette Lighter and Power Outlet	204
15A	STOP	ABS	176
		Cruise Control	180
		Electronic Modulated Suspension	192
		Electronically Controlled Transmission and A/T Indicator	80
		Engine Control	66
		Shift Lock	208
		Taillight and Stop Light	154
15A	SUN-SHADE	Rear Sunshade	244
15A	WASHER	Wiper and Washer (w/ Auto Wiper System)	214
		Wiper and Washer (w/o Auto Wiper System)	218
20A	PWR NO.2	Multiplex Communication System	88
		Power Window	144
		Theft Deterrent and Door Lock Control	128
		Wireless Door Lock	136
20A	PWR NO.3	Multiplex Communication System	88
		Power Window	144
20A	PWR NO.4	Multiplex Communication System	88
		Power Window	144
20A	RAD NO.1	LEXUS Navigation System, Radio and Player (Except MARK LEVINSON w/ LEXUS Navigation System)	260
		LEXUS Navigation System, Radio and Player (MARK LEVINSON w/ LEXUS Navigation System)	...
		Radio and Player (MARK LEVINSON w/o LEXUS Navigation System)	...
		Radio and Player (1CD Type Except MARK LEVINSON w/o LEXUS Navigation System)	...
		Radio and Player (6CD Type Except MARK LEVINSON w/o LEXUS Navigation System)	...
20A	SEAT HTR	Seat Heater	240
25A	AMP	LEXUS Navigation System, Radio and Player (MARK LEVINSON w/ LEXUS Navigation System)	252
		Radio and Player (MARK LEVINSON w/o LEXUS Navigation System)	...
25A	DOOR NO.2	Luggage Compartment Door Opener	150
		Multiplex Communication System	88
		Power Window	144

\* These are the page numbers of the first page on which the related system is shown.



Fuse		System	Page
25A	DOOR NO.2	Theft Deterrent and Door Lock Control	128
		Wireless Door Lock	136
25A	WIPER	Wiper and Washer (w/ Auto Wiper System)	214
		Wiper and Washer (w/o Auto Wiper System)	218
30A	PWR NO.1	Moon Roof	236
		Multiplex Communication System	88
		Power Window	144
		Theft Deterrent and Door Lock Control	128
		Wireless Door Lock	136
30A	PWR SEAT	Power Seat (Driver's Seat w/ Driving Position Memory)	226
		Power Seat (Driver's Seat w/o Driving Position Memory)	232
		Power Seat (Front Passenger's Seat)	234
		Remote Control Mirror (w/ Driving Position Memory)	220
40A	DEF	Rear Window Defogger and Mirror Heater	246

### Engine Room R/B (See Page 22)

Fuse		System	Page
5A	DRL	Headlight (w/ Daytime Running Light)	104
		Multiplex Communication System	88
15A	HEAD LH LWR	Combination Meter	280
		Fog Light	166
		Headlight (w/ Daytime Running Light)	104
		Headlight (w/o Daytime Running Light)	110
		Multiplex Communication System	88
15A	HEAD RH LWR	Headlight (w/ Daytime Running Light)	104
		Headlight (w/o Daytime Running Light)	110
		Multiplex Communication System	88
120A	ALT	Automatic Light Control	124
		Charging	64
		Electronically Controlled Transmission and A/T Indicator	80
		Engine Control	66
		Illumination	158
		Light Auto Turn Off	120
		Multiplex Communication System	88
		Starting and Ignition	60
		Taillight and Stop Light	154
		Theft Deterrent and Door Lock Control	128

### ABS R/B (See Page 23)

Fuse		System	Page
7.5A	ABS NO.4	VSC	168

\* These are the page numbers of the first page on which the related system is shown.