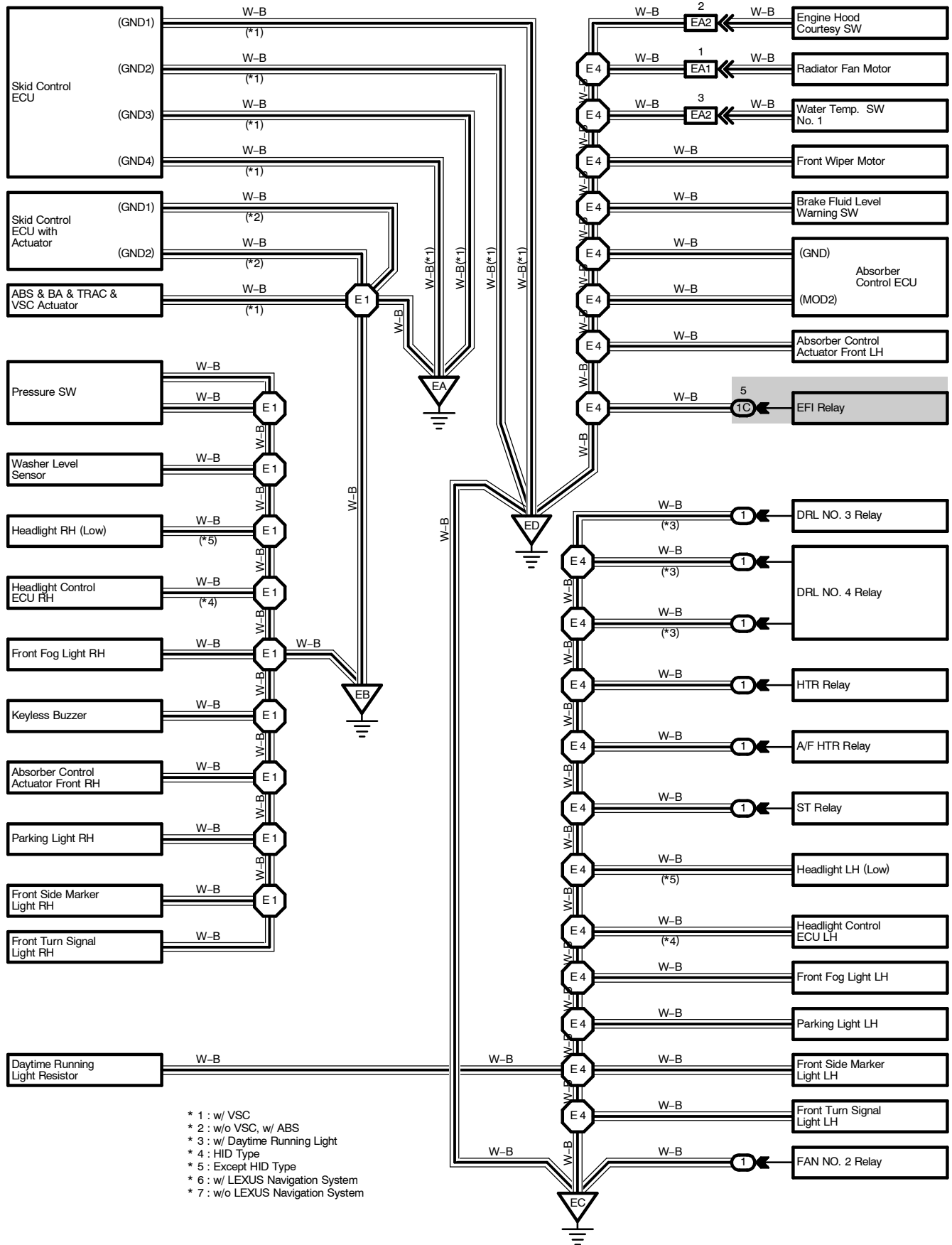
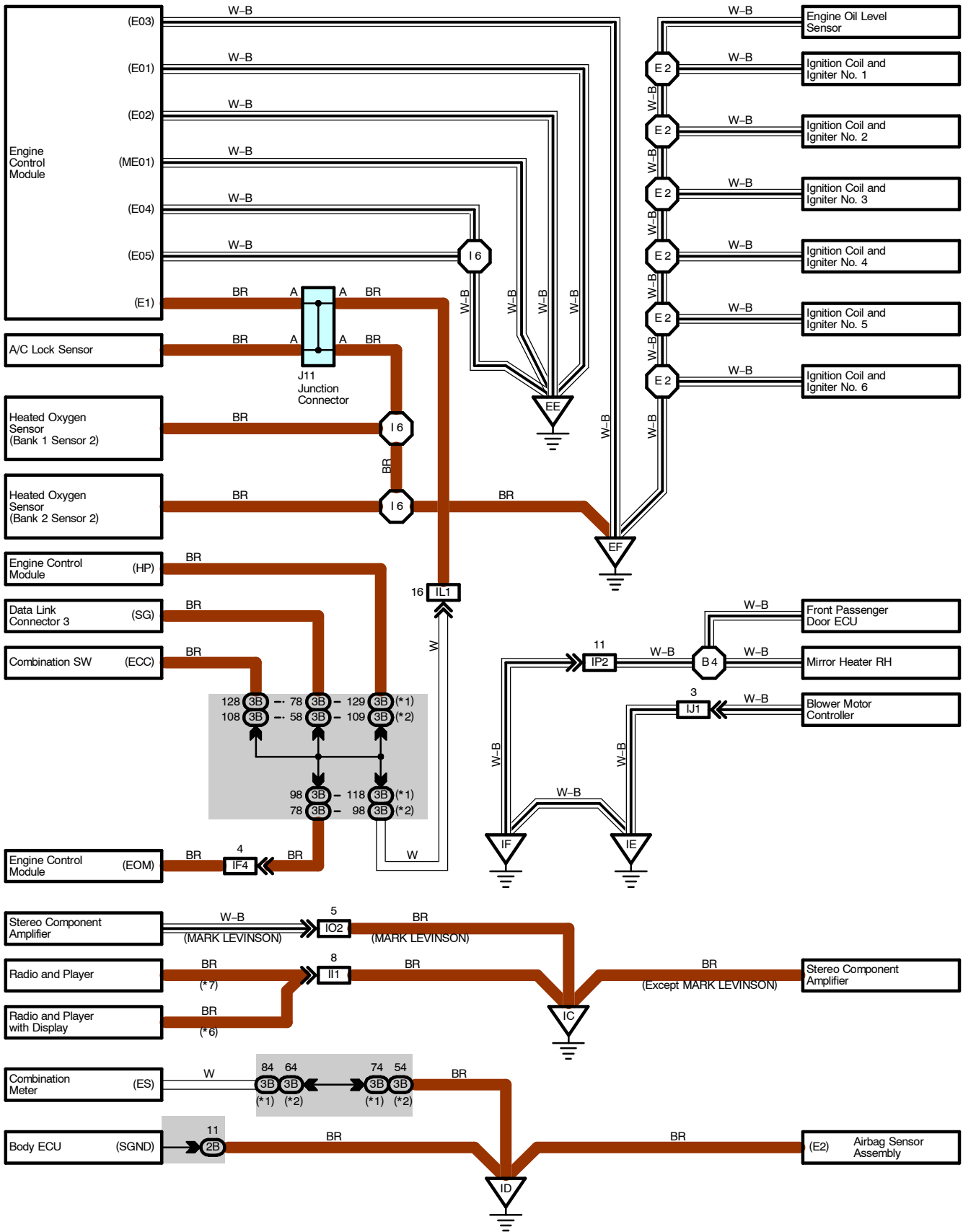
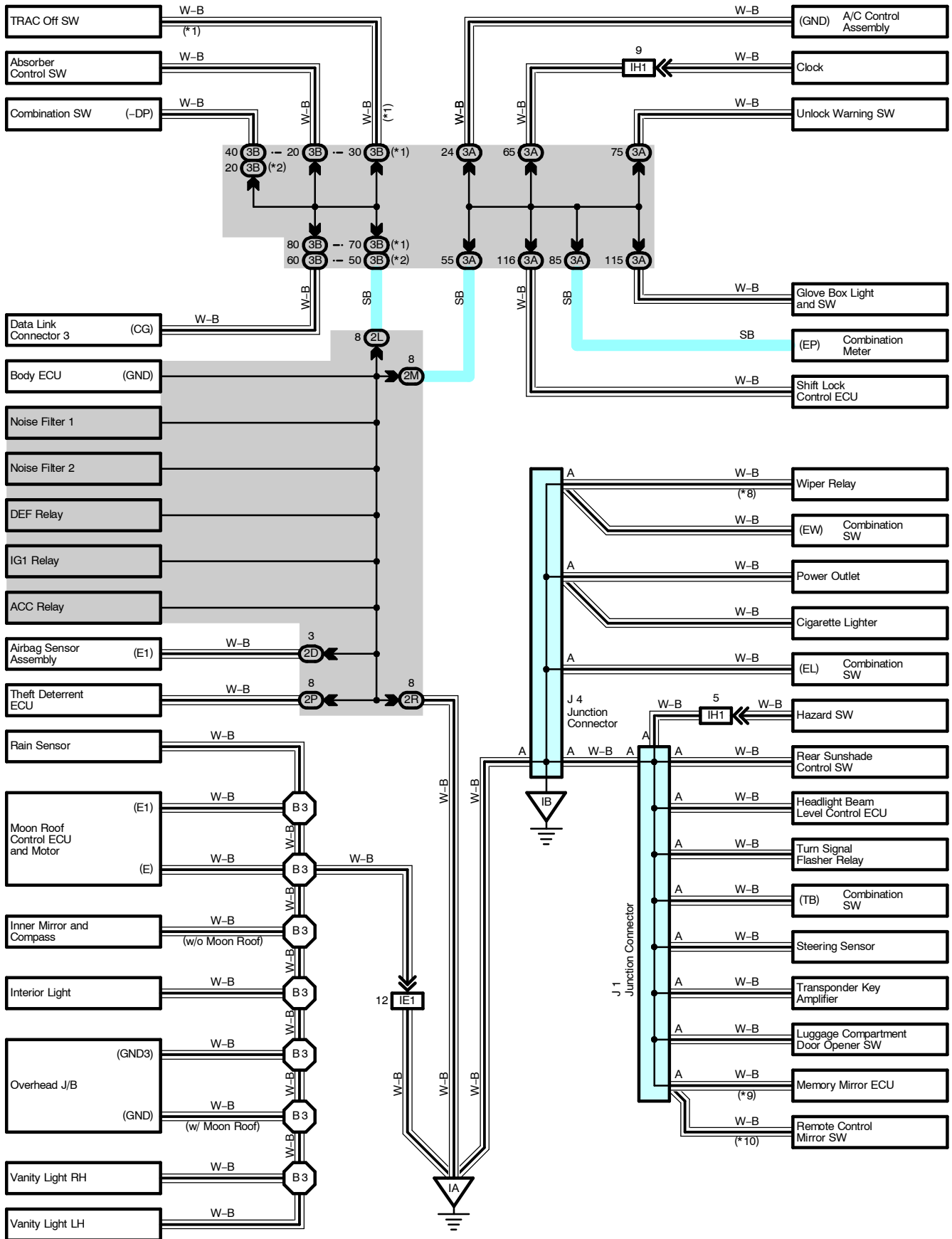


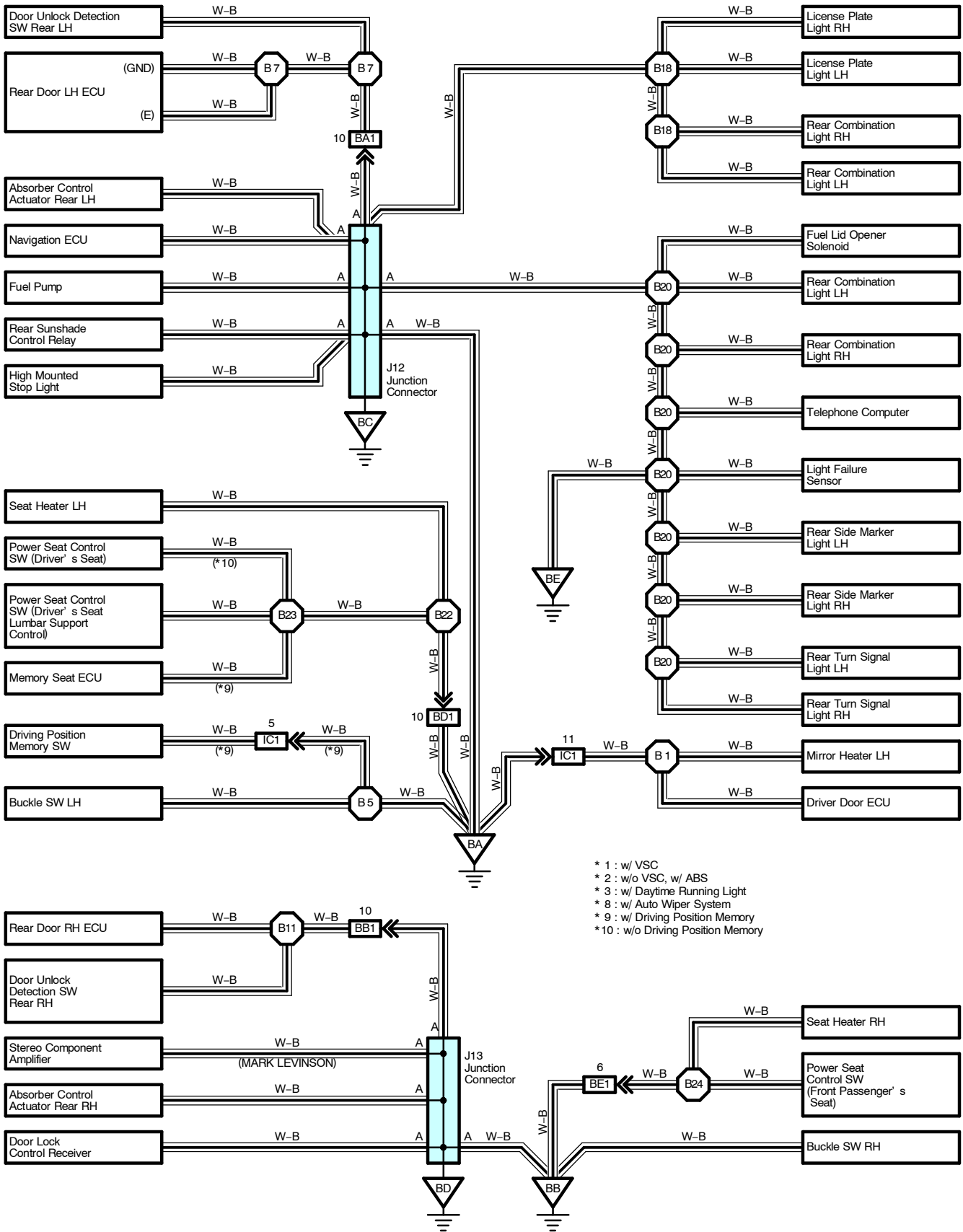
I GROUND POINT





I GROUND POINT





I GROUND POINT

: Parts Location

Code	See Page	Code	See Page	Code	See Page
J1	39	J11	39	J13	40
J4	39	J12	40		

: Relay Blocks

Code	See Page	Relay Blocks (Relay Block Location)
1	22	Engine Room R/B (Engine Compartment Left)

: Junction Block and Wire Harness Connector

Code	See Page	Junction Block and Wire Harness (Connector Location)
1C	25	Engine Room Main Wire and Engine Room J/B (Engine Compartment Left)
2B	28	Instrument Panel Wire and Driver Side J/B (Lower Finish Panel)
2D		
2L	29	
2M		
2P		
2R		
3A	34 (w/ VSC)	Instrument Panel Wire and Passenger Side J/B (Instrument Panel Brace RH)
	35 (w/o VSC)	
3B	34 (w/ VSC)	
	35 (w/o VSC)	

: Connector Joining Wire Harness and Wire Harness

Code	See Page	Joining Wire Harness and Wire Harness (Connector Location)
EA1	44	Engine Room Main Wire and Engine Room No.2 Wire (Behind the Headlight LH)
EA2		
IC1	46	Front Door LH Wire and Floor No.1 Wire (Left Kick Panel)
IE1	46	Instrument Panel Wire and Roof Wire (Lower Part of Front Pillar LH)
IF4	46	Engine Room Main Wire and Instrument Panel Wire (Right Side of Steering Column Tube)
IH1	48	Instrument Panel Wire and Instrument Panel No.4 Wire (Behind the A/C Control Assembly)
II1	48	Instrument Panel Wire and Instrument Panel No.2 Wire (Behind the A/C Control Assembly)
IJ1	48	Instrument Panel Wire and Instrument Panel No.3 Wire (Left Side of A/C Unit)
IL1	48	Engine Wire and Instrument Panel Wire (Behind the Glove Box)
IO2	48	Instrument Panel Wire and Floor No.2 Wire (Right Kick Panel)
IP2	48	Front Door RH Wire and Instrument Panel Wire (Right Kick Panel)
BA1	50	Rear Door No.2 Wire and Floor No.1 Wire (Left Center Pillar)
BB1	50	Rear Door No.1 Wire and Floor No.2 Wire (Right Center Pillar)
BD1	52	Floor No.1 Wire and Front Seat LH Wire (Under the Driver's Seat)
BE1	52	Floor No.2 Wire and Front Seat RH Wire (Under the Front Passenger's Seat)

 : **Ground Points**

Code	See Page	Ground Points Location
EA	44	Right Fender
EB		
EC	44	Left Fender
ED		
EE	44	Left Side of Cylinder Head
EF	44	Intake Side of Cylinder Block
IA	46	Instrument Panel Reinforcement LH
IB	46	Instrument Panel Brace LH
IC	46	Instrument Panel Brace RH
ID		
IE	46	Instrument Panel Reinforcement RH
IF		
BA	50	Under the Driver's Seat
BB	50	Under the Front Passenger's Seat
BC	50	Front Side of Rear Quarter Wheel House LH
BD	50	Front Side of Rear Quarter Wheel House RH
BE	50	Lower Back Panel Center

 : **Splice Points**

Code	See Page	Wire Harness with Splice Points	Code	See Page	Wire Harness with Splice Points
E1	44	Engine Room Main Wire	B7	50	Rear Door No.2 Wire
E2	44	Engine Wire	B11	50	Rear Door No.1 Wire
E4	44	Engine Room Main Wire	B18	50	Floor No.1 Wire
I6	48	Engine Wire	B20		
B1	50	Front Door LH Wire	B22	52	Front Seat LH Wire
B3	50	Roof Wire	B23		
B4	50	Front Door RH Wire	B24	52	Front Seat RH Wire
B5	50	Floor No.1 Wire			