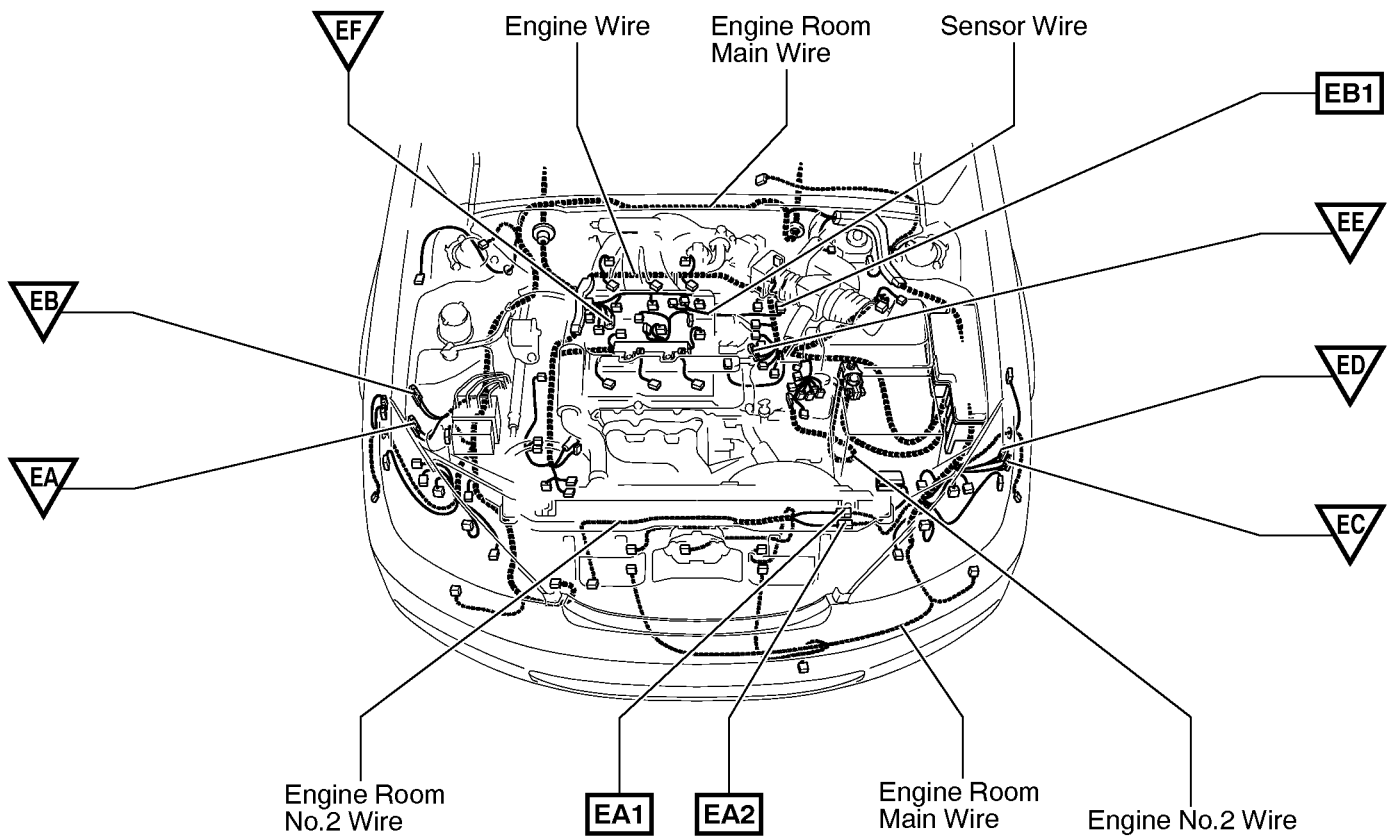


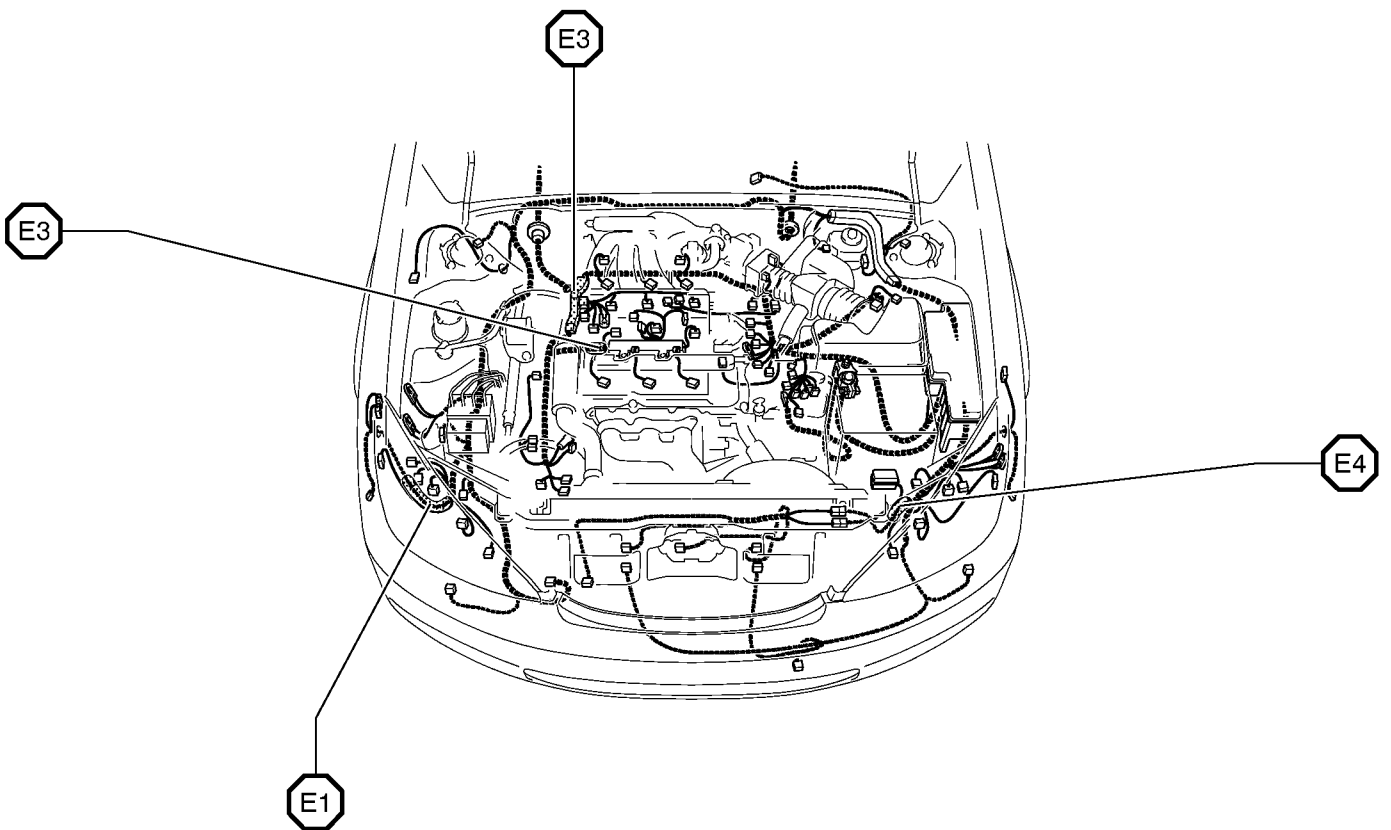
G ELECTRICAL WIRING ROUTING

□ : Location of Connector Joining Wire Harness and Wire Harness

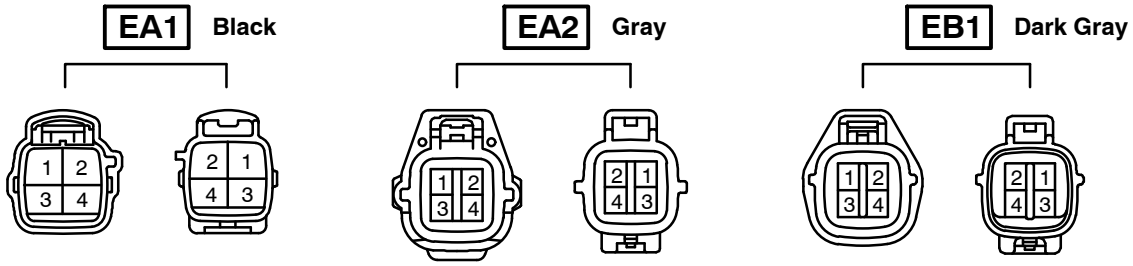
▽ : Location of Ground Points



○ : Location of Splice Points



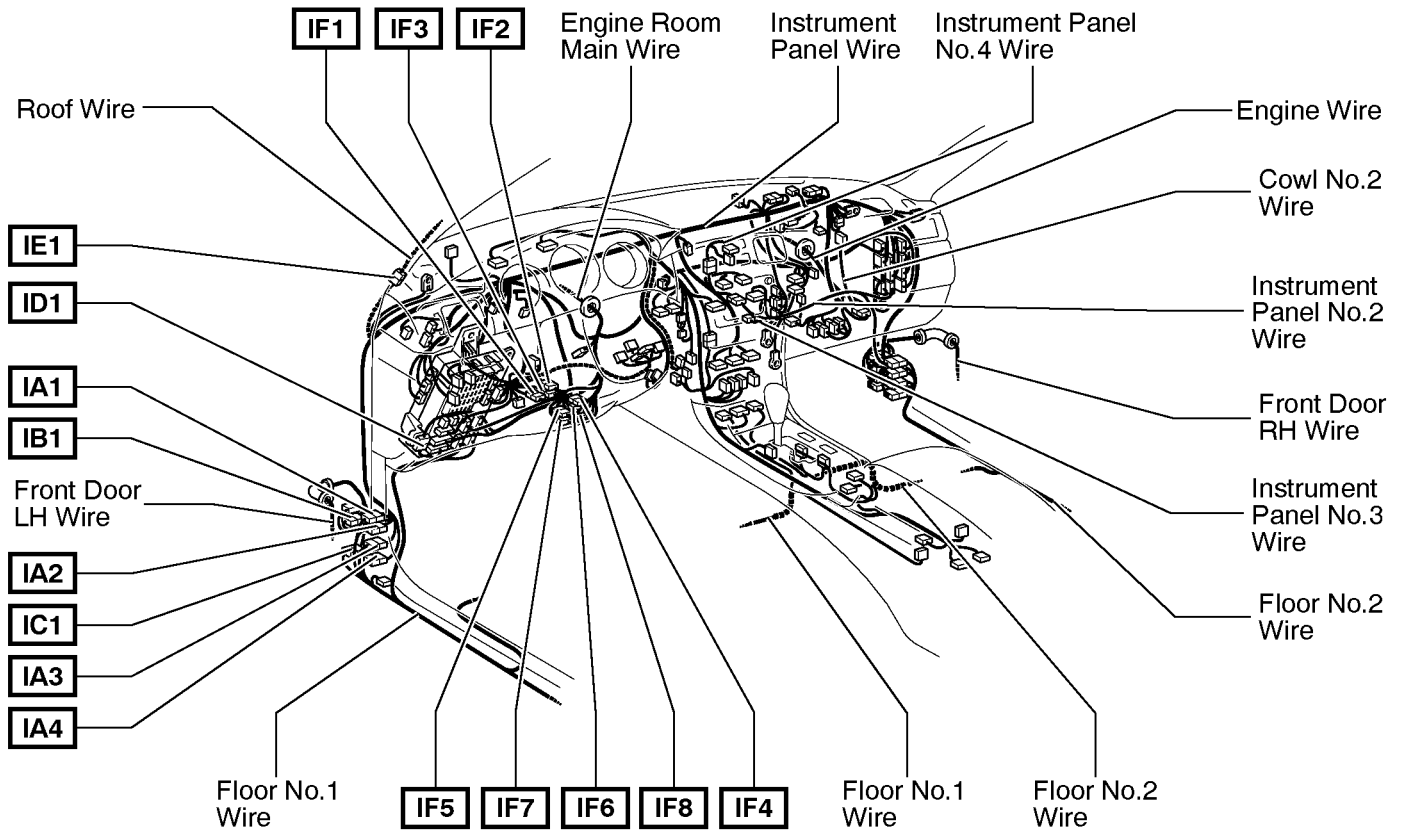
Connector Joining Wire Harness and Wire Harness



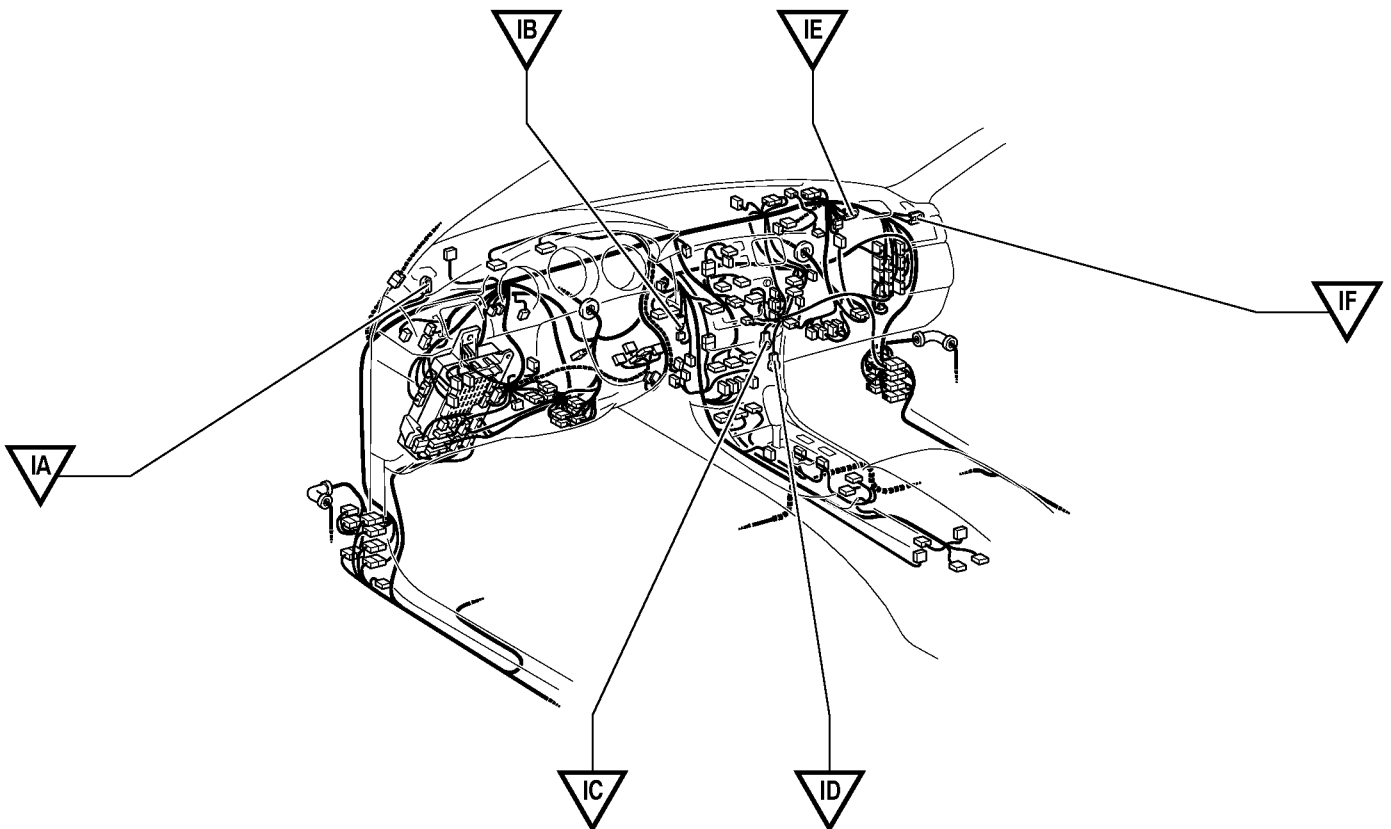
Code	Joining Wire Harness and Wire Harness (Connector Location)
EA1	Engine Room Main Wire and Engine Room No.2 Wire (Behind the Headlight LH)
EA2	Engine Room Main Wire and Engine Room No.2 Wire (Behind the Headlight LH)
EB1	Engine Wire and Sensor Wire (Left Bank of the Cylinder Head)

G ELECTRICAL WIRING ROUTING

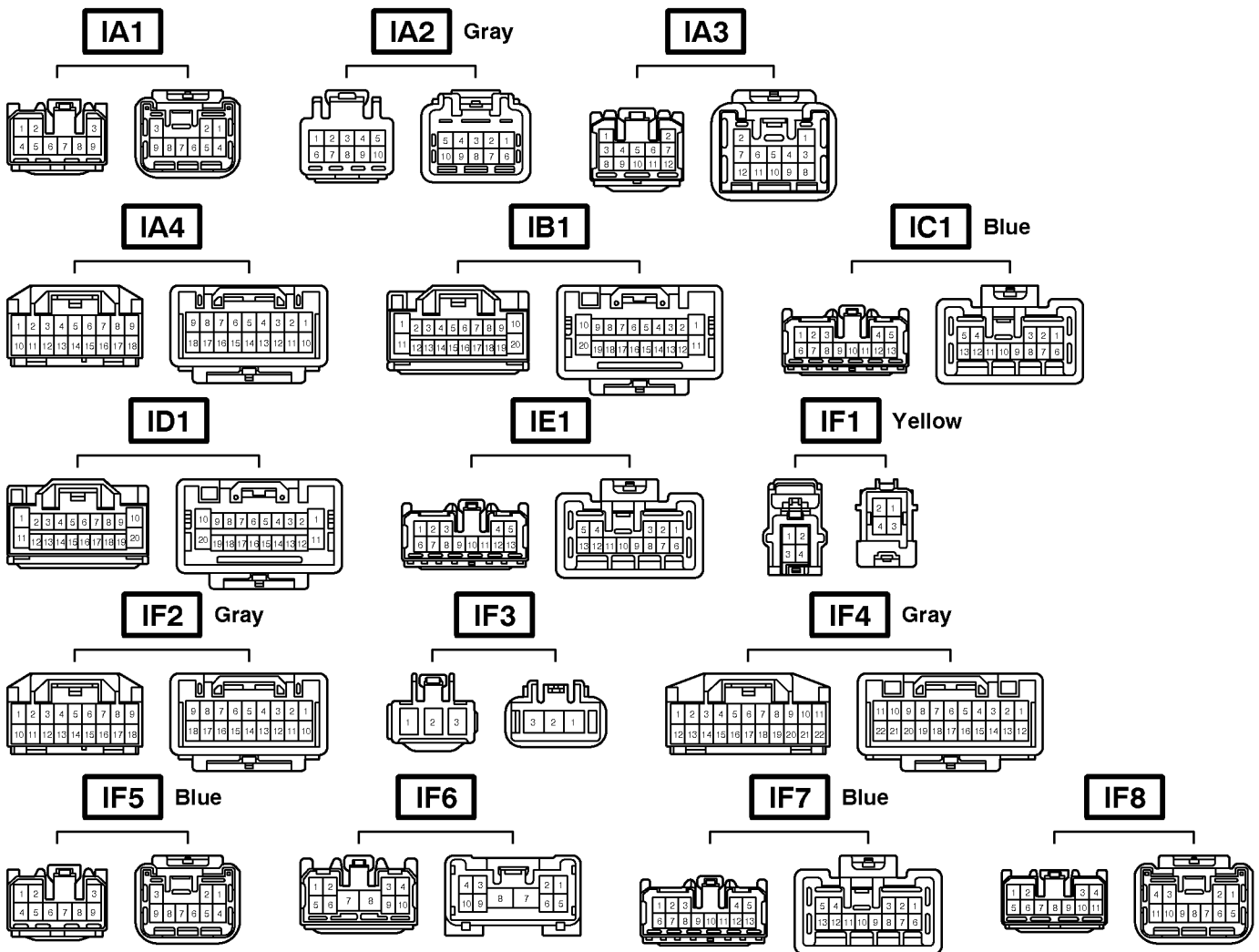
□ : Location of Connector Joining Wire Harness and Wire Harness



▽ : Location of Ground Points



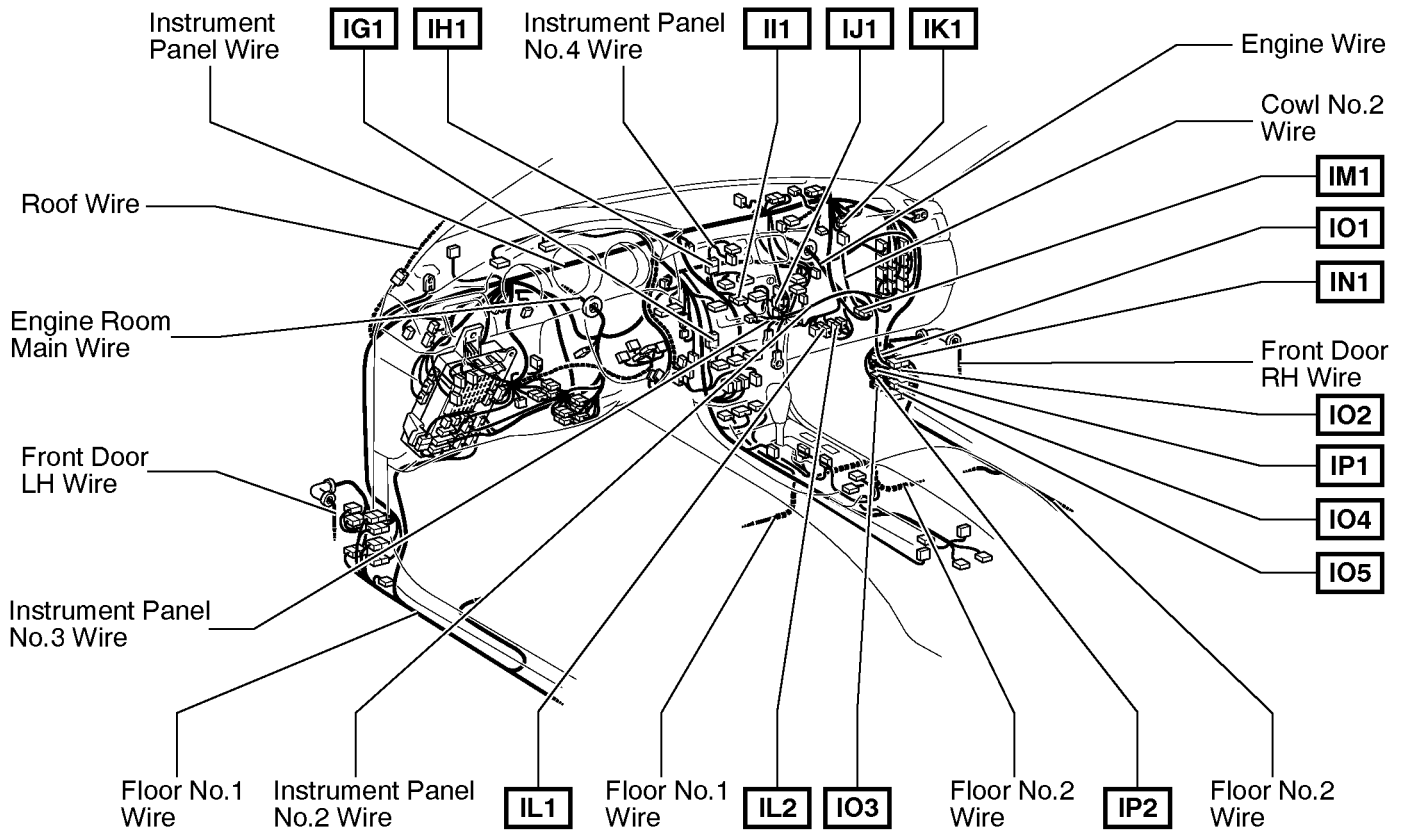
Connector Joining Wire Harness and Wire Harness



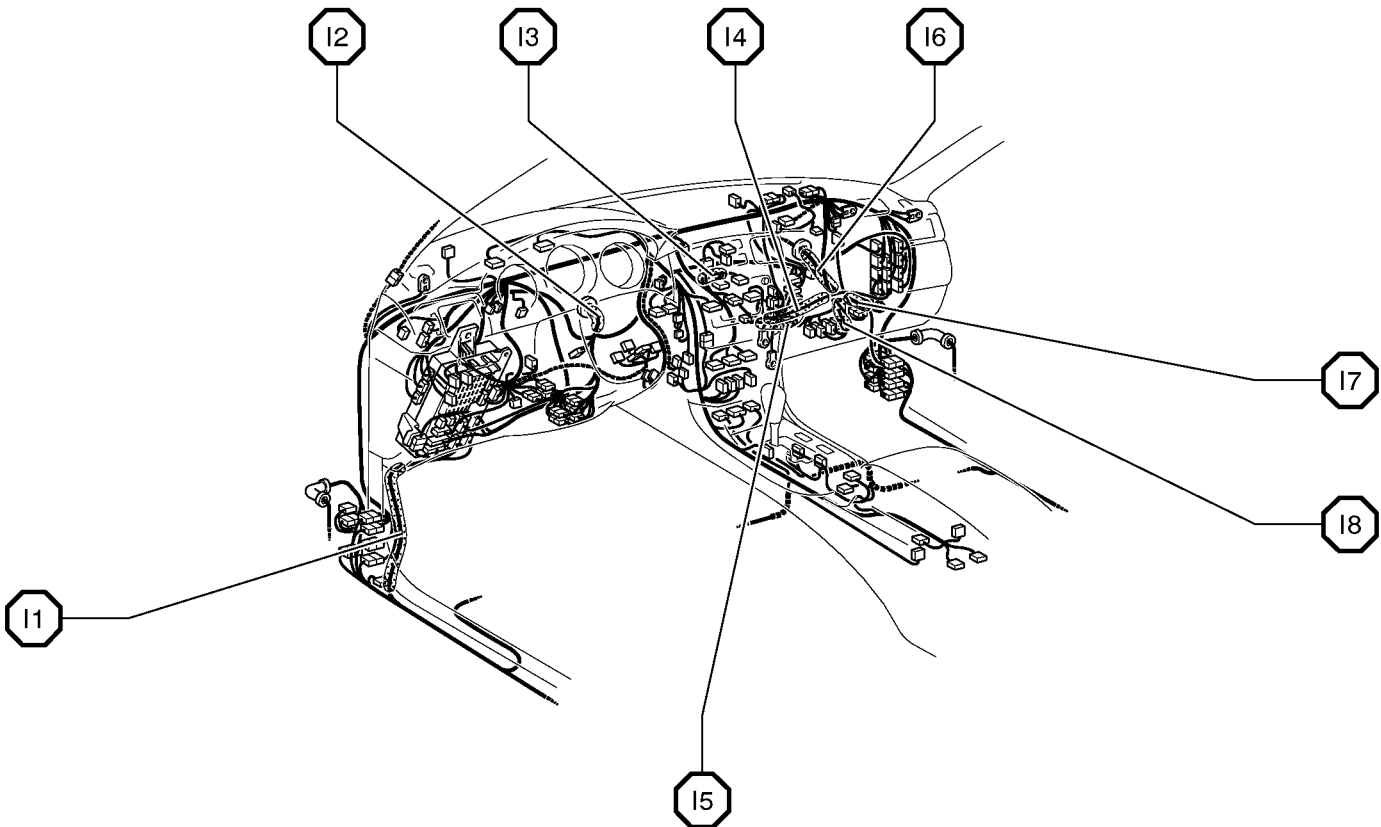
Code	Joining Wire Harness and Wire Harness (Connector Location)
IA1	Instrument Panel Wire and Floor No.1 Wire (Left Kick Panel)
IA2	
IA3	
IA4	
IB1	Front Door LH Wire and Instrument Panel Wire (Left Kick Panel)
IC1	Front Door LH Wire and Floor No.1 Wire (Left Kick Panel)
ID1	Engine Room Main Wire and Floor No.1 Wire (Left Side of Driver Side J/B)
IE1	Instrument Panel Wire and Roof Wire (Lower Part of Front Pillar LH)
IF1	Engine Room Main Wire and Instrument Panel Wire (Right Side of Steering Column Tube)
IF2	
IF3	
IF4	
IF5	
IF6	
IF7	
IF8	

G ELECTRICAL WIRING ROUTING

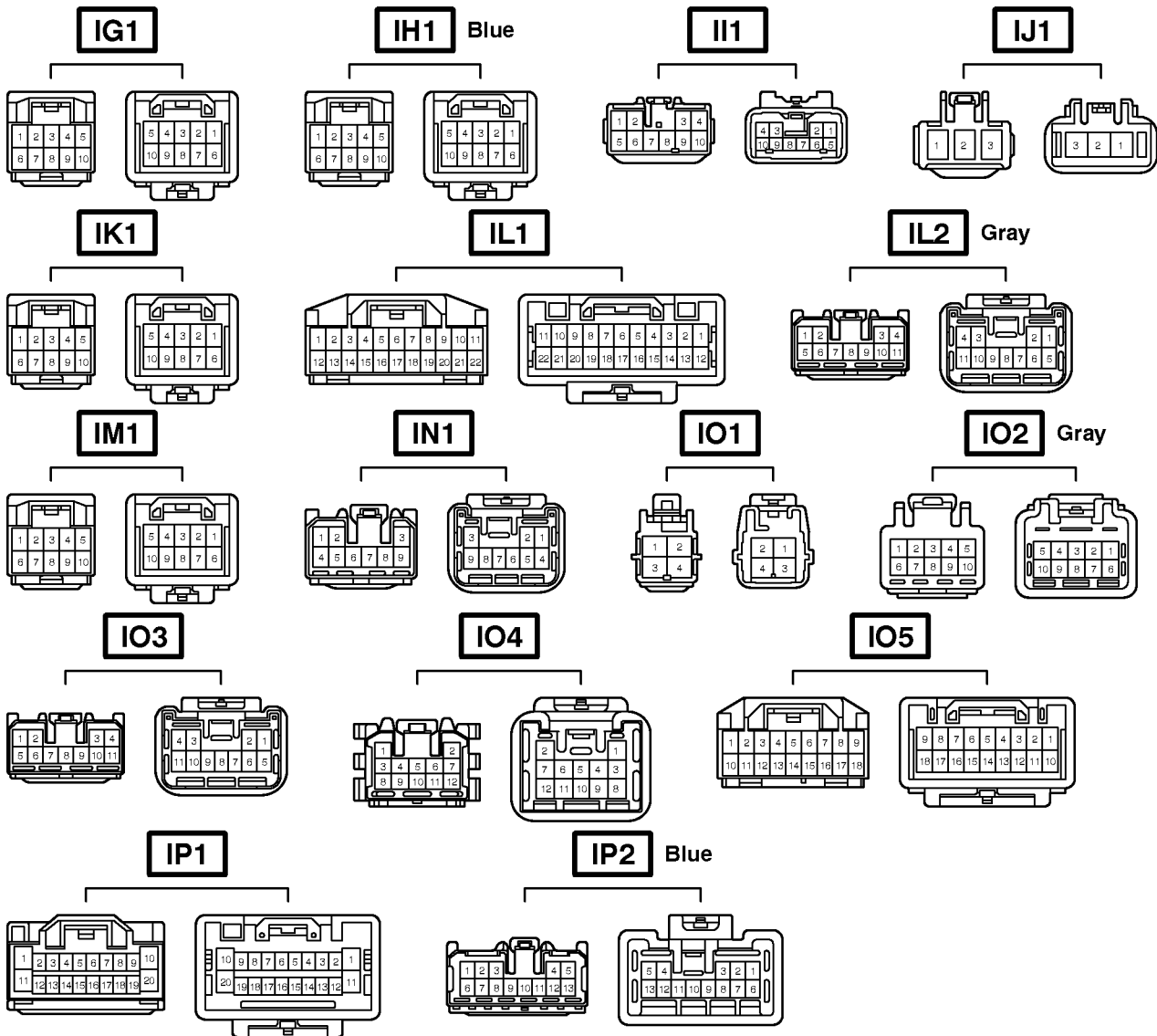
□ : Location of Connector Joining Wire Harness and Wire Harness



○ : Location of Splice Points



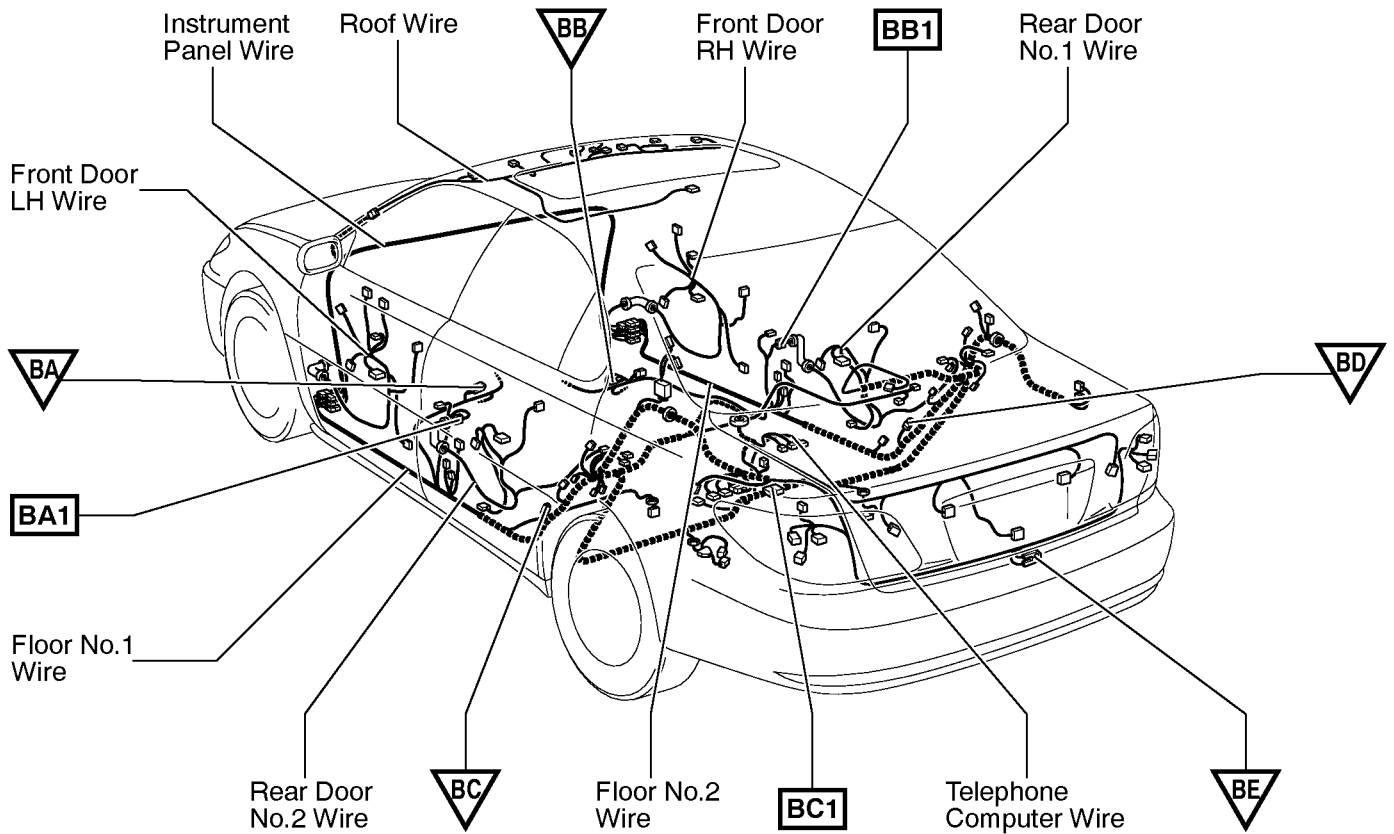
Connector Joining Wire Harness and Wire Harness



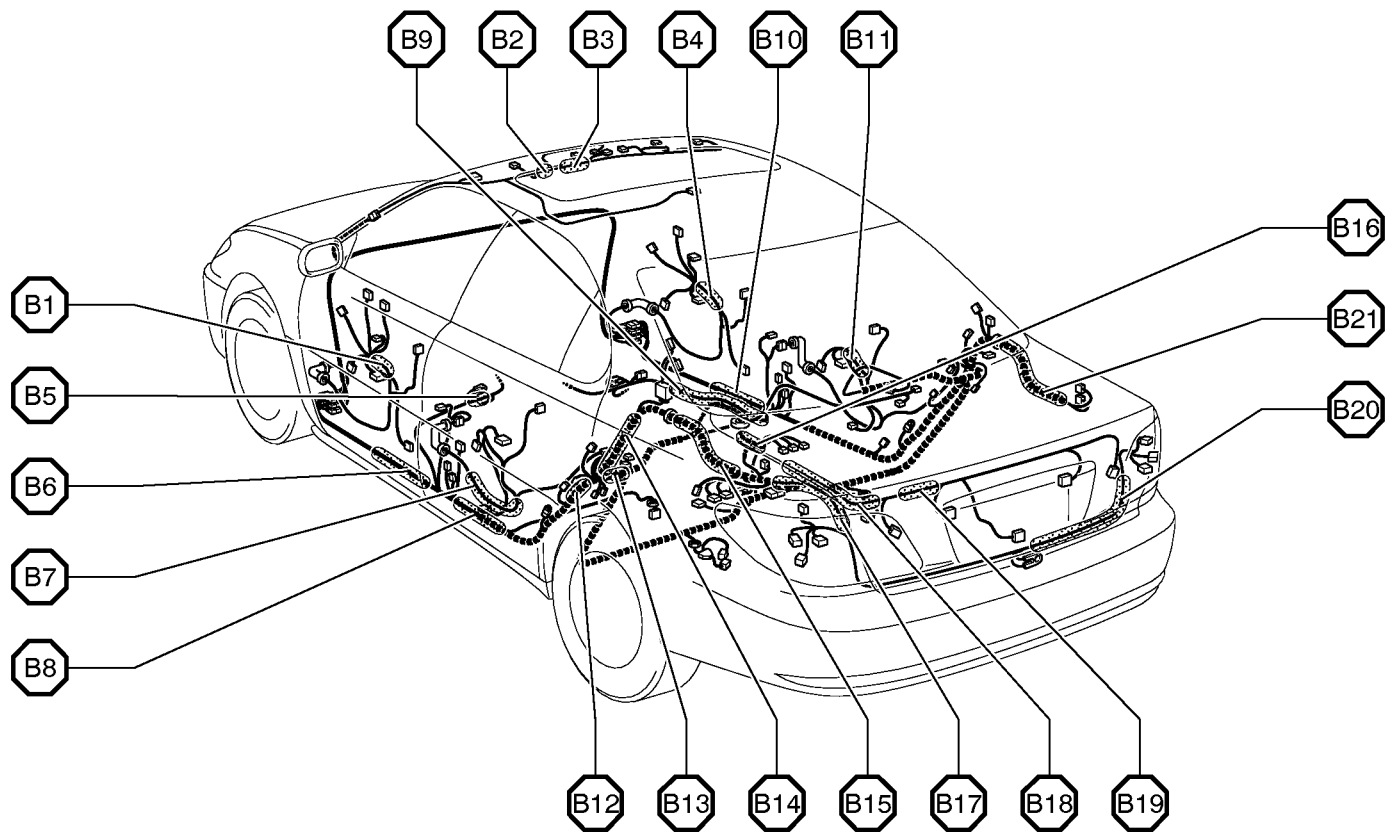
Code	Joining Wire Harness and Wire Harness (Connector Location)
IG1	Instrument Panel Wire and Engine Room Main Wire (Instrument Panel Brace LH)
IH1	Instrument Panel Wire and Instrument Panel No.4 Wire (Behind the A/C Control Assembly)
II1	Instrument Panel Wire and Instrument Panel No.2 Wire (Behind the A/C Control Assembly)
IJ1	Instrument Panel Wire and Instrument Panel No.3 Wire (Left Side of A/C Unit)
IK1	Instrument Panel Wire and Instrument Panel Wire (Instrument Panel Reinforcement RH)
IL1	Engine Wire and Instrument Panel Wire (Behind the Glove Box)
IL2	Engine Wire and Instrument Panel Wire (Behind the Glove Box)
IM1	Instrument Panel Wire and Cowl No.2 Wire (Behind the Glove Box)
IN1	Instrument Panel No.2 Wire and Floor No.2 Wire (Right Kick Panel)
IO1	
IO2	
IO3	Instrument Panel Wire and Floor No.2 Wire (Right Kick Panel)
IO4	
IO5	
IP1	
IP2	Front Door RH Wire and Instrument Panel Wire (Right Kick Panel)

G ELECTRICAL WIRING ROUTING

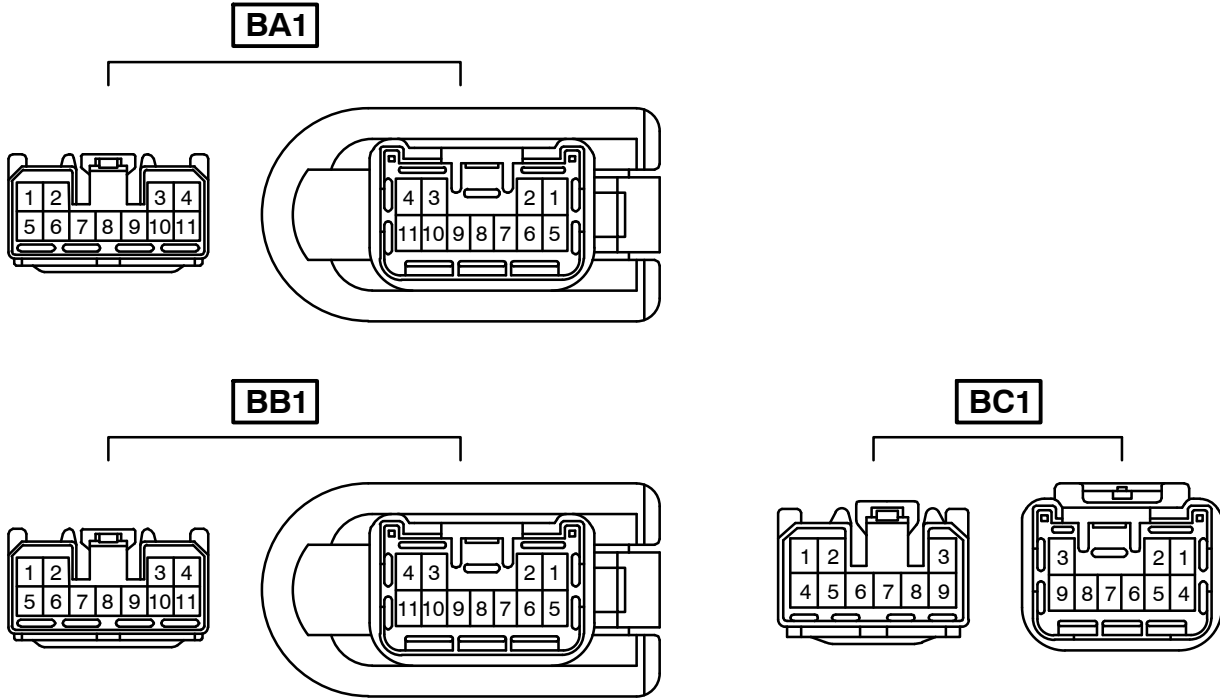
□ : Location of Connector Joining Wire Harness and Wire Harness
 ▽ : Location of Ground Points



○ : Location of Splice Points



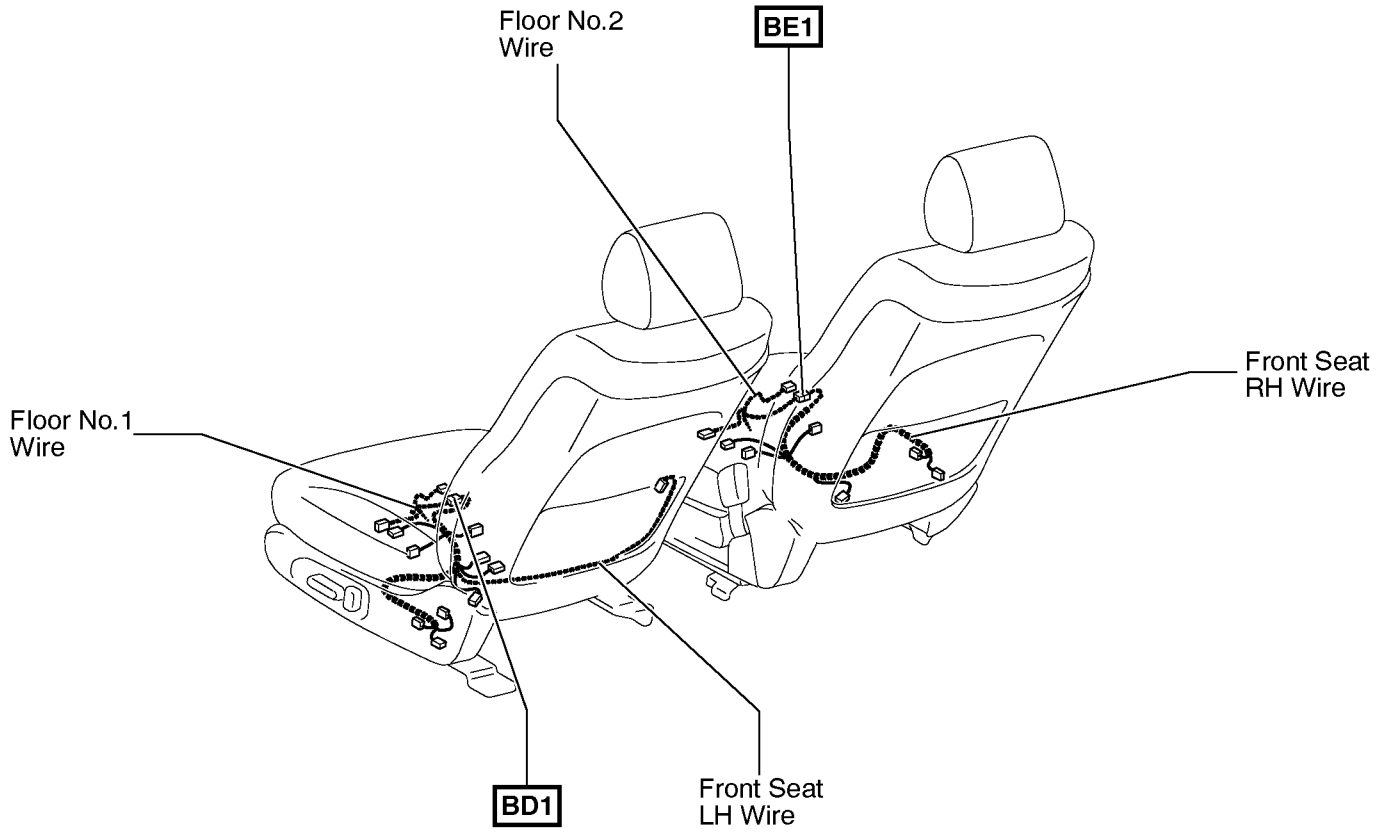
Connector Joining Wire Harness and Wire Harness



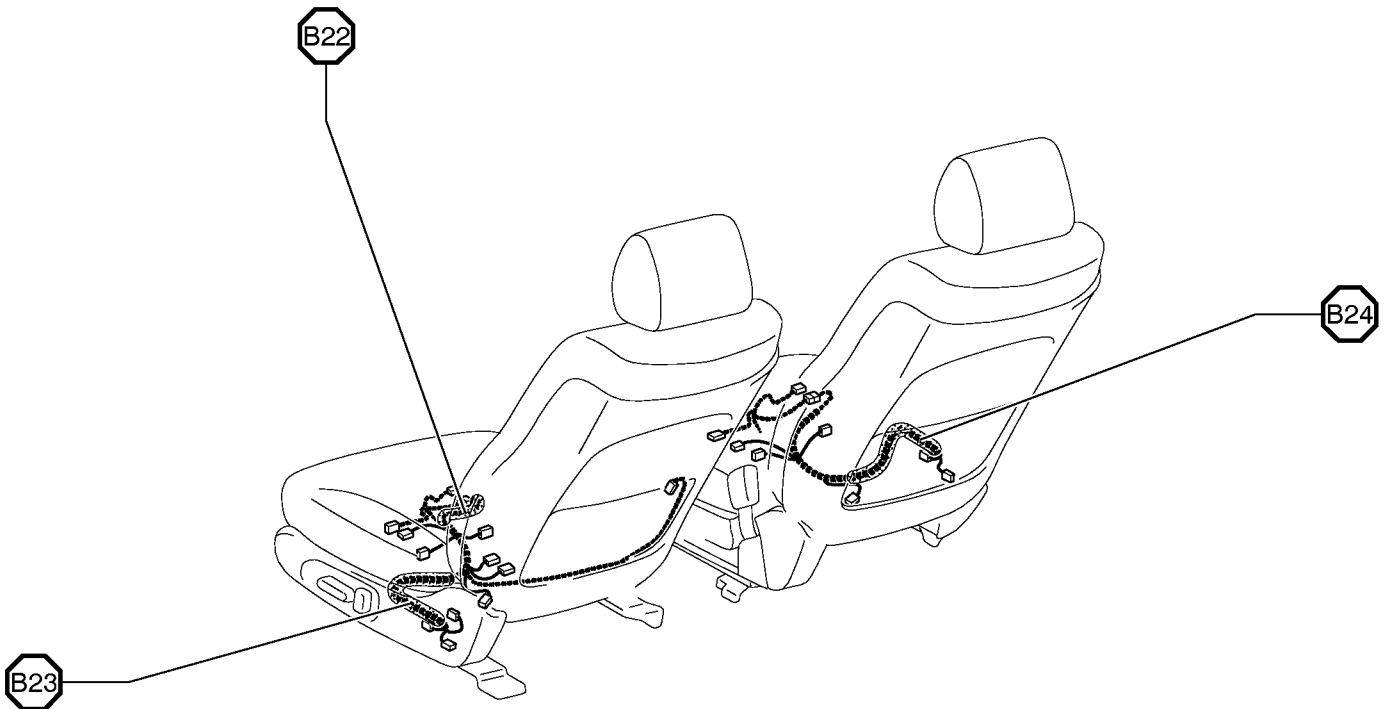
Code	Joining Wire Harness and Wire Harness (Connector Location)
BA1	Rear Door No.2 Wire and Floor No.1 Wire (Left Center Pillar)
BB1	Rear Door No.1 Wire and Floor No.2 Wire (Right Center Pillar)
BC1	Floor No.1 Wire and Floor No.2 Wire (Behind the Rear Passenger's Seat RH)

G ELECTRICAL WIRING ROUTING

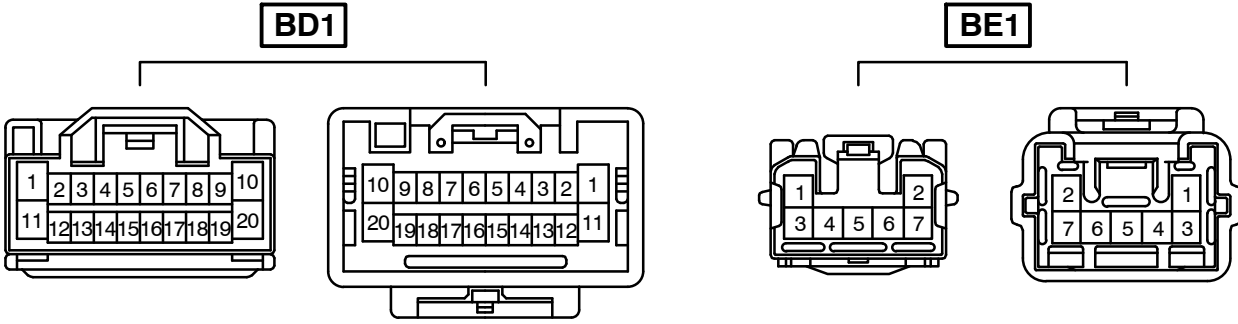
□ : Location of Connector Joining Wire Harness and Wire Harness



○ : Location of Splice Points

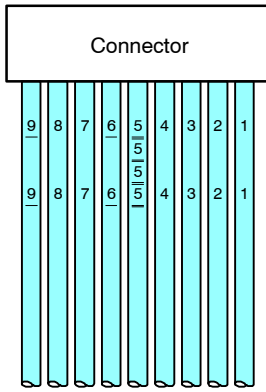


Connector Joining Wire Harness and Wire Harness



Code	Joining Wire Harness and Wire Harness (Connector Location)
BD1	Floor No.1 Wire and Front Seat LH Wire (Under the Driver's Seat)
BE1	Floor No.2 Wire and Front Seat RH Wire (Under the Front Passenger's Seat)

HINT



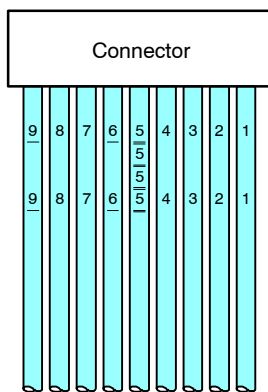
There are two types of wire harness for the instrument panel on ES 300.

Type A : The wire harness that uses the color-coded wire.

Type B : The wire harness that uses the same colored wire. (Not color-coded)

In case of using the same colored wires, each terminal number is printed on the wire as shown in the illustration on the left in order to distinguish each wiring.

Be sure to connect the terminal to the same place as indicated by the terminal number printed on the wire after disconnecting the terminal from the connector.



There are two types of wire harness for the instrument panel on ES 300.

Type A : The wire harness that uses the color-coded wire.

Type B : The wire harness that uses the same colored wire. (Not color-coded)

In case of using the same colored wires, each terminal number is printed on the wire as shown in the illustration on the left in order to distinguish each wiring.

Be sure to connect the terminal to the same place as indicated by the terminal number printed on the wire after disconnecting the terminal from the connector.